

LED 200 module light beam light instructions



Please keep the instructions properly

1. Remove the packaging

For proper and safe use, please read the instructions carefully before installing and using this product. This specification contains important installation and application information. Please strictly follow the operation procedures when installing and operating the product. At the same time, please keep this instruction manual properly.

The 200 module beam lamp is designed and produced in strict accordance with CE standards, in line with the international standard DMX512 signal protocol, can be used alone, can also be used online, with fast rotation, low noise, powerful features, suitable for small and medium-sized concerts, theaters, studios, nightclubs and bars and other places.

Please remove the package carefully, check whether the product is damaged during transportation, and check whether the following contents are complete.

200 module beam lamp- - - 1

signal line- - -1

Manual- - -1


This power cable- - -1

2 Safety instructions

pay attention to!

Please be careful before operating this product, this product is high voltage product, if contact wire may be electric shock!

This product is a good product before delivery. In order to keep the product in good condition and ensure safe operation, users should follow the safety matters and the instructions.

 Important: Damage caused by not following this instruction is not covered by the warranty. The supplier is not responsible for the product problems arising from this.

If the product has been exposed to extreme unstable temperature conditions (e. g., after transportation), do not supply the product immediately because water drops due to temperature changes may damage the product. Please use the product has returned to normal temperature.

This product can be used in the 90-240V voltage range and is intended for indoor use. Please ensure that the ground voltage is not higher than the tolerable range of the product!! The power plug must be plugged into a protective class I socket. Green or tea-cyan conductors must be grounded.

Please check the product-level power cord frequently. Ensure that the power cord is not folded or damaged and not connected to other wires! Special attention is required when connecting the power cord or the related wiring. Unplug the power supply without using the product or before cleaning.

Before using the product, please be familiar with the operation function of the product. Please do not expose children or no professionals to the product.

Please do not shake this product. Do not use brute force when installing or operating the product. Do not allow unprofessionals to operate the product. Most of the damage is caused by an unprofessional operation.

The product is not equipped with relevant repair accessories. Product maintenance and repair can only be carried out by professionals!

Please do not change this product without authorization, otherwise the product may be damaged, so the damage caused is not covered by the warranty. Also, unprofessional operations can lead to short circuits, burns or electric shocks, and so on.

3. Operating instructions

- -This product is a head dyeing beam lamp used to create dyeing performance.
- -If the product after a large temperature difference (for example, after transportation), do not immediately start the product, because the heat account cold shrinkage will damage the product. Please wait until the device reaches the normal room temperature before starting the product.
- -Pay attention to the shock shock. Avoid strong collisions during product installation.
- -Please do not raise the whole product through the lamp head, because the mechanical nature of the equipment may be damaged.
- -Make sure the product is not exposed to overheated, wet, or dusty places. Please do not place any wires on the ground or you may be in danger of electric shock.
- -Before installing the product, please ensure the installation point of safety
- -Please attach the product to the safety rope and check that all the screws are correct during installation
- -Please make sure that the lens is in good condition. Replace the lens when the lens is damaged or scratched.
- -It is recommended that the technicians familiar with the product operate the product. Non-technical personnel are prohibited from operating this equipment because many losses are the result of non-professional operations.
- -Please keep the packing materials properly for secondary transportation as required.
- -Do not change the product without the guidance from the manufacturer or distributor.
- -Any equipment failure caused by failing to use the equipment is not covered by the warranty. And any accident caused by short circuit, injury, electric shock, ultraviolet light caused by injury, bulb explosion accidents are not within the scope of warranty.

. 4. Product hanging and installation

Note: For more safety, install this product away from the walkway, seating area, or accessible area

Before hanging the product, ensure that the installation point bears 10 times the weight of the product.

Product installation must have a double protection device, such as a safety rope.

When hanging, removing or repairing the product, it is forbidden to stand under the installation point.

Please ensure that this product should be installed at least 0.5 meters away from the flammable materials.

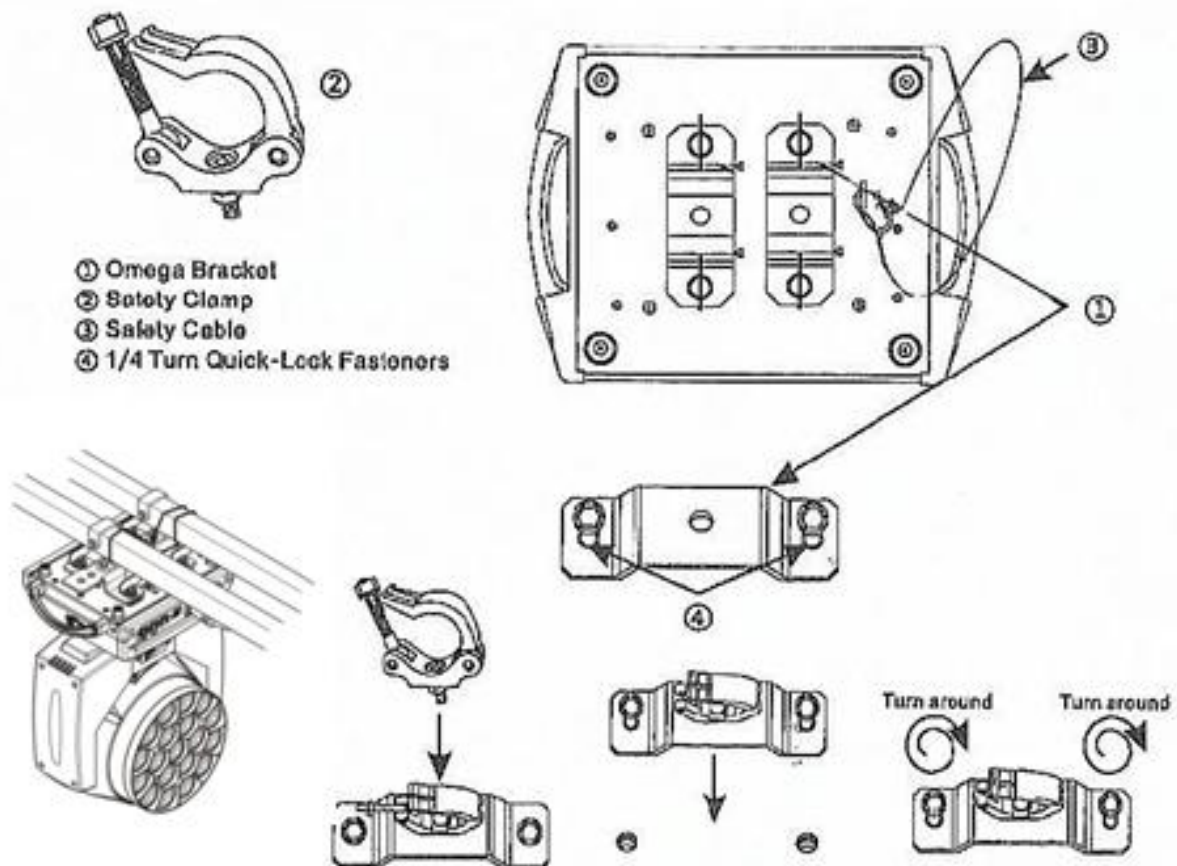
Please remember to use the safety rope as a safety guarantee in case the accident is dropped quickly.

Hanging point: the top hanging requires that the installation personnel must be experienced, including calculating the load-bearing requirements, the installation materials used, and the periodic inspection of the safety status of the installation materials and products. If you lack this knowledge, please do not try to install it yourself. If not incorrectly, it may lead to serious consequences such as personal injury.

Make sure that all the required hanging and installation steps are completed before the product is powered on.

Quick lock hanging: there are specially designed professional pendants at the bottom of this product, including quick lock pendant and safety rope hanging points (please refer to the figure below).

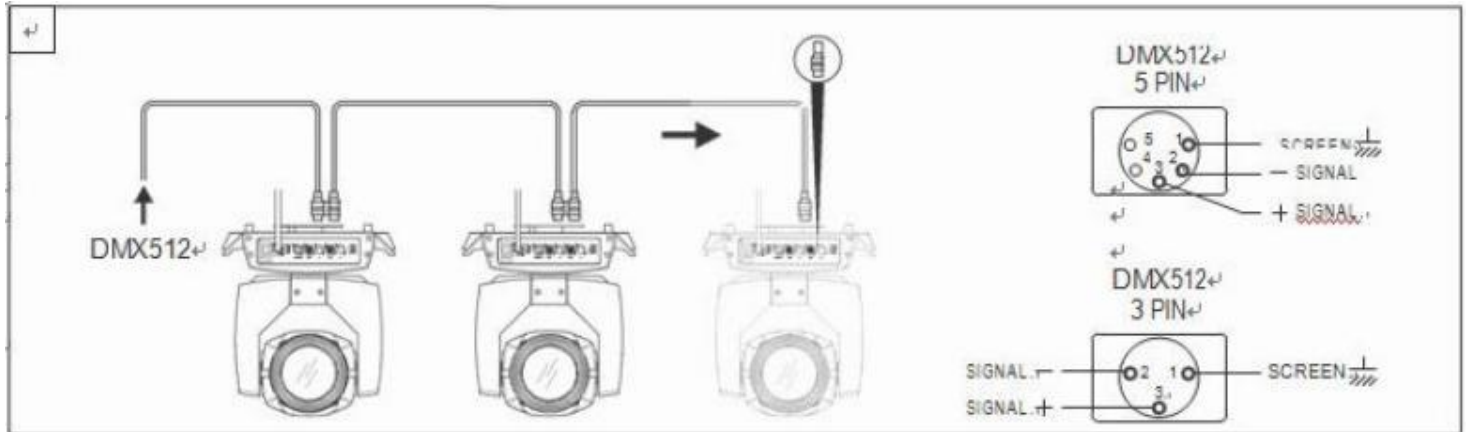
When hanging this product to the truss, please remember to use a suitable quick lock, fix it to the quick lock pendant position of the product, and hang it with the screws of M10. To further ensure the safety, please install the safety rope to the safety rope hanging point at the bottom of the product, and fix it to the truss.



Whatever hanging you choose, please remember to use a safety rope. The bottom of the product is equipped with a special safety rope hanging point, please refer to the above figure, and please remember to use the specially provided safety rope hanging point, do not put the safety rope in the handle position.

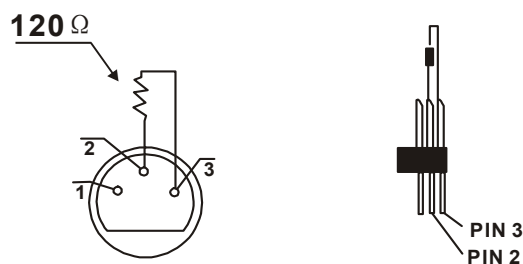
6. DMX-512 linkage

Please plug the male header of the XLR signal line into the signal output port of the controller and the master head into the signal input port on the back board of the product. You can talk about multiple products in series, the signal line needs to be three-heart, shielded, with XLR input and output head. Please refer to the figure below.



DMX-512 connection with terminal (loop connection)

During installation, a DMX terminal (loop connection) is recommended if the signal line is laid over a long distance, or in noisy electrical environments, such as dance halls. This avoids the digital control signal opacity due to electrical noise. The DMX terminal consists of a simple XLR connector with 2 cores and 3 cores connecting a 120 ohm resistance. Please insert the terminal into the XLR output port of the last product, please refer to the following figure.



. 7 Menu

primary menu	Sublevel menu	Three-level menu / parameters
System Settings	running mode	DMX / voice control / self walk 1 / self walk 2
	channel pattern	21CH
	Horizontal reversal	Open / close
	Vertical reversal	Open / close
	Hall error correction	Open / close
	Optical coupling error correction	Open / close
	The signal to keep	Open / close
	Screen protection	Open / close
	Screen flip	Open / close
	Synchronous update	Open / close (This function should remove DMX offline)
	language	centre /EN
		factory data reset
manual mode	Manual control of the channel	000-255

	values	
system calibration	enter password	Lighting calibration
system reset	Effect motor reset	Effect disc reset other than XY
	Scan the motor for reset	The XY axis was reset only
	Full motor reset	Lamps reset
system info	Reset information	Display the specific information and content
	And DMX data detection	Display the specific DMX detection content
	sensor information	Display the optical coupling, Hall specific information
	Hardware version	Displays the hardware version number
	software release	Displays the software version number

◆ System Settings

option	explain
running mode	The lamps support three operating modes: DMX mode, self-travel mode and voice control mode

	DMX pattern	The console mode, receive DMX signal, and RDM signal
	Self-walking mode 1	The lamps are run automatically according to the built-in program 1
	Self-walking mode 2	The lamps are run automatically according to the built-in program 2
	Sound control mode	When the lamp detects a strong sound, the lamp automatically runs a scene according to the built-in program, otherwise maintain the last scene
channel pattern	The following channel values can be selected: 21 CH	
Horizontal reversal	Set the X-axis rotation direction	
	close	Don't reverse
	open	opposite direction
Vertical reversal	Set the Y-axis rotation direction	
	close	Don't reverse
	open	opposite direction
Hall error correction	Check whether the color plate, focus adjustment and other motors are reset and out of step	
	close	Position is not corrected after a misstep
	open	Position is automatically corrected after loss of step
Optical coupling error correction	XY was tested for loss of step and corrected	
	close	Position is not corrected after a misstep
	open	Position is automatically corrected after loss of step

The signal to keep	Output status of the lamp with no DMX signal	
	close	There is no signal, so the motor and the light source return to the position and state when the reset is complete
	open	No signal, keeping the last frame of the DMX data output
Screen protection	The screen is bright for a long time	
	close	Often bright
	open	In a static environment, the screen timing off the screen
Screen flip	Set the display direction of the screen	
	close	No reversal is shown
	open	Reverse display
Synchrono us update	Synchronize the setting parameters or calibration parameters of multiple lamps	
	close	The synchronous update function is turned off.
	open	Connect multiple lamps with DMX cable and update the calibration interface.(Note: Remove the DMX signal wire connected to the console)
language	Chinese and English menu switch	
	centre	the Chinese language
	EN	English menu
factory data reset	Lighting parameters are returned to the factory settings	
	cancel	res sic stantibus
	affirm	Light ture to factory settings

◆ manual control

This interface is used to control the current lamp, as detailed in the channel table.

Press OK to enter the edit state. Press Up and Down to change the channel value. Press OK again to save the modified value, exit editing, and press Exit not to save the modified value, and directly exit editing.

◆ system calibration

Here to set a layer of password to prevent non-professionals from misoperation. Press OK to verify the password.

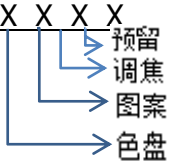
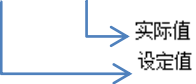
option	explain
Initial position calibration	After entering the sub-interface, the reset position of the motor such as X axis, Y axis, color disk, solid map, atomization, and focusing can be adjusted to make up for the error on the hardware installation. The adjustment range of 0~255,127 means that there is no adjustment.
Travel calibration	After entering the sub-interface, the stroke of X-axis, Y-axis, atomization, colorful and focusing motors can be adjusted. The adjustment range of 0~255,127 means that there is no adjustment.
calibration of power	The maximum power of the adjustable whole lamp, and the adjustment range of 0~255,255 means no adjustment.
MIC sensitivity calibration	Adjust the sound-control sensitivity.
change password	Set the system calibration password.

◆ reset

Press Up and Down to switch the reset mode, and press OK to reset directly.

option	explain
Effect motor reset	Color disc, focusing and other motor reset
Scan the motor for reset	The XY axis was reset only
Full motor reset	Lamps reset

◆ system info

option	explain
Reset the error message	<p>If the red ERR indicator is illuminated, the lamp is running wrong:</p> <ol style="list-style-type: none"> 1) IC1 communication fault (communication failure between motor and display board) 2) X / Y optical coupling error reporting 3) Color plate, focusing and other motor reset failed
And DMX data monitoring	<p>From this, you can enter the subinterface to display the channel values for viewing and turn the page</p>
sensor information	<p>1) Hall:</p>  <p>2) sensor:</p> <p>X and Y optical coupling: XXXX- -XXXX</p> 
Hardware version number	<p>Lighting hardware information</p> <p>. XX XX .XX</p> <p>↓ ↓</p> <p>Display board version. Motor version</p>
Software version number	<p>Lamp software version</p> <p>. XX XX .XX</p> <p>↓ ↓</p> <p>Display board version. Motor version</p>

. 8 Channel table

21CH	The channel name	The channel value	Channel function
1	X axle	0-255	0-540 degrees
2	X axis fine-tuning	0-255	0-2 Degrees
3	Y axle	0-255	0-270 degrees
4	Y axis fine-tuning	0-255	0-1 degrees
5	XY velocity	0-255	From fast to slow
6	stroboflash	0-3	opening the light
		4-99	Synchronous flash
		100-149	Pulse flash
		150-199	Flash
		200-249	Random flash
		250-255	light
7	aiming	0-255	With 0-100% dimming
8	colour disk	0-4	white
		5-9	Color 1
		10-14	Color 2
		15-19	Color 3
		20-24	Color 4
		25-29	Color 5
		30-34	Color 6
		35-39	Color 7

		40-44	Color 8
		45-49	Color 9
		50-54	Color 10
		55-59	Color 11
		60-64	Color 12
		65-69	Color 13
		70-74	White + color 1
		75-79	Color # 1 + color # 2
		80-84	Color # 2 + color # # 3
		85-89	Color # 3 + color # # 4
		90-94	Color # 4 + color # # 5
		95-99	Color # 5 + color # # 6
		100-104	Color # 6 + color # 7
		105-109	Color # 7 + color # # 8
		110-114	Color # 8 + color # # 9
		115-119	Colour 9 + color 10
		120-124	Colour 10 + color 11
		125-129	Colour 11 + color 12
		130-134	Colour 12 + color 13
		135-139	Color is 13 + white
		140-195	From fast to slow counterclockwise flow water
		196-199	Stop running water
		200-255	From slow to fast clockwise

			flowing water
9	Solid plate	0-7	White aperture
		8-14	Pattern 1
		15-21	Pattern 2
		22-28	Pattern 3
		29-35	Pattern 4
		36-42	Pattern 5
		43-49	Pattern 6
		50-56	Pattern 7
		57-63	Pattern 8
		64-70	Pattern 9
		71-77	Pattern 10
		78-84	Pattern 11
		85-91	Pattern 12
		92-98	Pattern 13
		99-105	Pattern 1 shakes from slow to fast
		106-112	Pattern 2 shakes from slow to fast
		113-119	Pattern 3 shakes from slow to fast
		120-126	Pattern 4 shakes from slow to fast
		127-133	Pattern 5 shakes from slow to fast
		134-140	Pattern 6 shakes from slow to fast
141-147	Pattern 7 shakes from slow to fast		
148-154	Pattern 8 shakes from slow to fast		

		155-161	Pattern 9 shakes from slow to fast
		162-168	The tern 10 from slow to fast
		169-175	Pattern 11 shakes from slow to fast
		176-182	Pattern 12 shakes from slow to fast
		183-189	Pattern 13 shakes from slow to fast
		190-221	From fast to slow counterclockwise flow water
		222-223	Stop running water
		224-255	From slow to fast clockwise flowing water
10	Colorful atomization	0-127	Colorful atomization cut out
		128-192	Fog cut in
		193-255	Colorful cut in
11	prism	0-31	The prism cut out
		32-63	Prism cut in
		64-255	The prism rotates from slow to fast
12	focus	0-255	From far to near
13	Light band flash	0-4	opening the light
		5-250	Synchronous flash
		251-255	opening the light
14	Light with dimming	0-255	Dimming (from dark to bright)
15	The light with red	0-255	Red (from dark to bright)
16	The light with	0-255	Green (from dark to bright)

	green		
17	The light is blue	0-255	Blue (from dark to bright)
18	Built-in color	0-255	Prospect color gradient
19	Dynamic effect	0-4	of no avail
		5-9	Effect 1
		10-14	Effect 2
		15-19	Effect 3
		20-24	Effect 4
		25-29	Effect 5
		30-34	Effect 6
		35-39	Effect 7
		40-44	Effect 8
		45-49	Effect 9
		50-54	Effect 10
		55-59	Effect 11
		60-64	Effect 12
		65-69	Effect 13
		70-74	Effect 14
		75-79	Effect 15
		80-84	Effect 16
		85-89	Effect 17
		90-94	Effect 18
95-99	Effect 19		

		100-104	Effect 20
		105-109	Effect 21
		110-114	Effect 22
		115-119	Effect 23
		120-124	Effect 24
		125-129	Effect 25
		130-134	Effect 26
		135-139	Effect 27
		140-144	Effect 28
		145-149	Effect 29
		150-154	Effect 30
		155-159	Effect 31
		160-164	Effect 32
		165-169	Effect 33
		170-174	Effect 34
		175-179	Effect 35
		180-184	Effect 36
		185-189	Effect 37
		190-194	Effect 38
		195-199	Effect 39
		200-204	Effect 40
		205-209	Effect 41
		210-214	Effect 42

		215-219	Effect 43
		220-224	Effect 44
		225-229	Effect 45
		230-234	Effect 46
		235-239	Effect 47
		240-244	Effect 48
		245-249	Effect 49
		250-254	Effect 50
		255	Effect 51
20	Effect speed	0-127	Forward from slow to fast
		128-255	Reverse from slow to fast
21	reset	230-235	Head motor reset over 5 seconds
		240-245	The XY motor is reset over 5 seconds
		250-255	All times are reset over 5 seconds

9. Product maintenance and cleaning

Please note the following points when testing this product:

1. All the screws and parts of the installed products must be tightly connected and do not rust.
2. The shell, lens, fixture and installation site (e. g., ceiling, hanger, truss, etc.) cannot be deformed.
3. Mechanical moving parts should not have wear and tear, can not rotate unbalanced.
4. The power cord should not have any damage, material broken skin or scar, etc.

The installation and use of the product must be carried out by trained professional and technical personnel, and must ensure that the safety risks are eliminated.

Note: Please unplug the power cord before performing product maintenance.

In order to maintain the product in good condition and extend the service life, we recommend routine cleaning of the product.

1. Clean the external lens and internal lens of the product every week to prevent the light output of the product from weakening due to the dust of the lens.
2. Clean the fan every week.
3. Every three months, professional electrical engineers will check the product in a detailed circuit, to ensure that the circuit contact is good, to prevent the circuit contact from aging due to overheating.

We recommend that the products be cleaned regularly. Please be careful not to use damp or linen, or never use alcohol or solvents.

This product is not equipped with replacement parts, please refer to the "Installation Instructions" section.

If users need any spare parts, please purchase them from any local dealer.