

7 BEE EYE LASER

USER MANUAL

01

SAFETY INSTRUCTIONS..... 03

02

TECHNICAL SPECIFICATIONS..... 06

03

LIGHTING INSTALLATION..... 08

04

CHANNEL DESCRIPTION..... 09

05

TROUBLESHOOTING..... 20

06

EQUIPMENT CLEANING..... 21

SAFETY
INSTRUCTIONS

01



Please read this instruction manual carefully, as it contains important information on installation, use and maintenance.

POLIE TELL

PLEASE SAVE THIS MANUAL FOR FUTURE REFERENCE, AND IF YOU SELL THIS PRODUCT TO OTHER USERS, MAKE SURE THEY ALSO GET THIS

MANUAL. NOTICE :

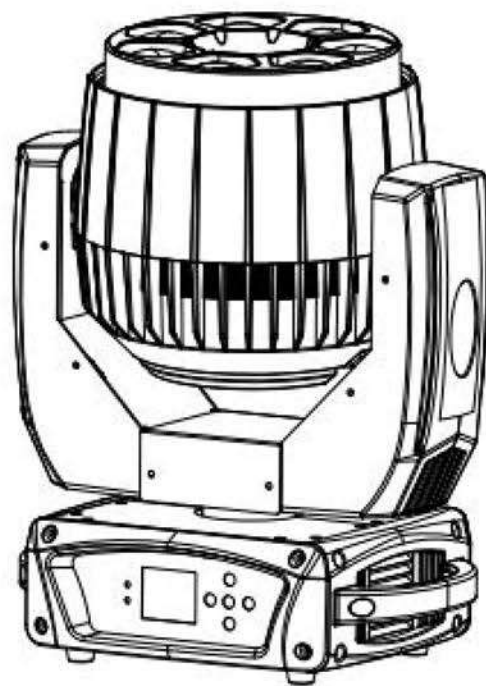
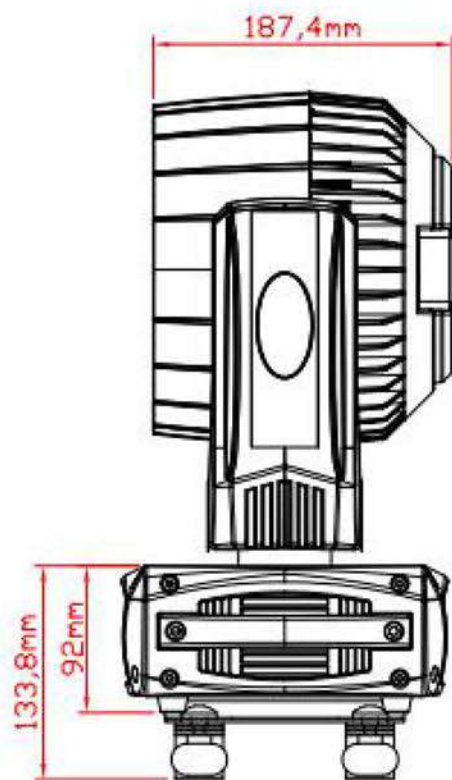
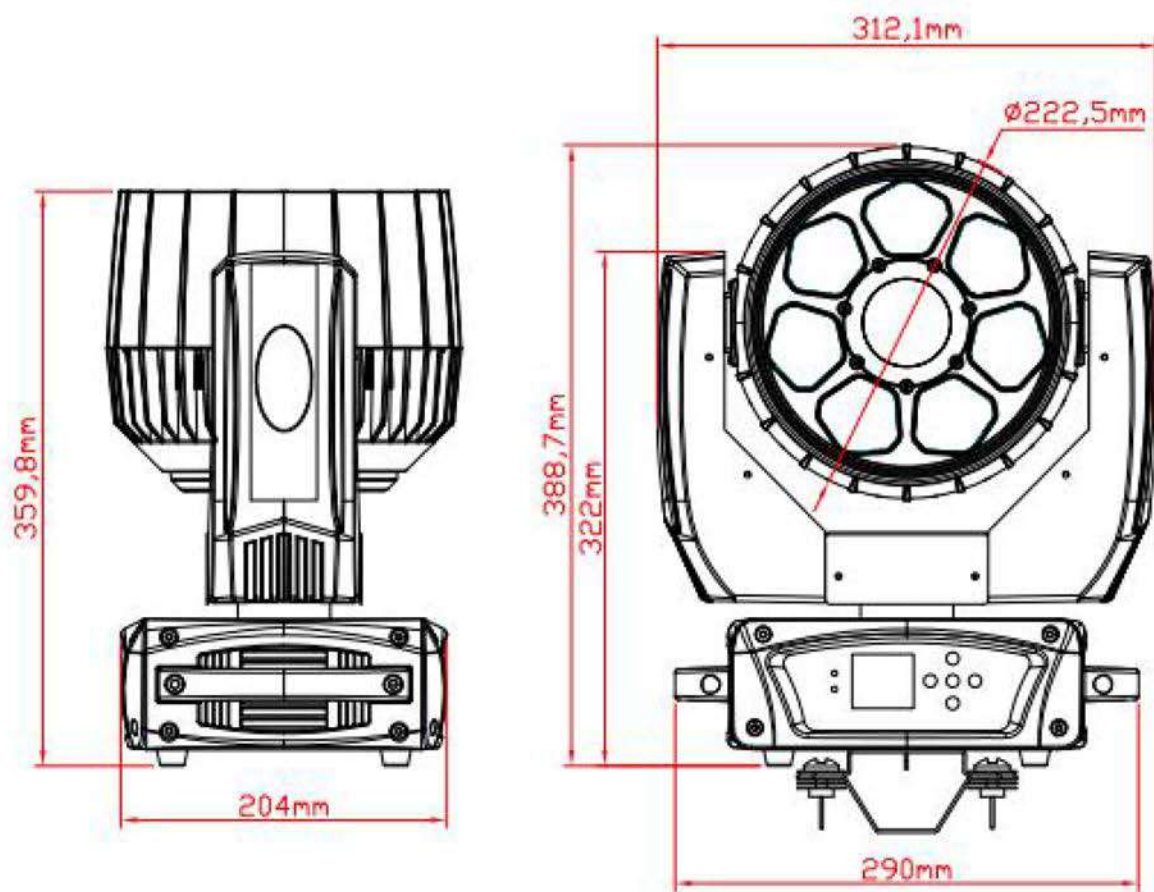
THE EQUIPMENT IS PACKED IN GOOD CONDITION WHEN IT LEAVES THE FACTORY. PLEASE OPERATE IT ACCORDING TO THE USER MANUAL. MACHINE FAILURE CAUSED BY HUMAN FACTORS IS NOT COVERED BY THE WARRANTY.

- BEFORE USING THE PRODUCT, PLEASE OPEN IT AND CHECK IT CAREFULLY TO ENSURE THAT THERE IS NO DAMAGE CAUSED BY TRANSPORTATION.
- THE INSTALLATION AND OPERATION OF LAMPS SHOULD BE PERFORMED BY PROFESSIONALS.
- DO NOT ALLOW CHILDREN TO OPERATE THE MACHINE. • USE A SAFE HARNESS WHEN SECURING THE DEVICE, AND SUPPORT THE BOTTOM WHEN MOVING THE LIGHT.
- THE DEVICE MUST BE INSTALLED IN A WELL-VENTILATED AREA, AT LEAST 50 CM FROM ADJACENT FLAT SURFACES.
- MAKE SURE THE VENTILATION HOLES ARE CLEAR TO PREVENT THE LAMP FROM OVERHEATING WHEN IN OPERATION.
- BEFORE OPERATION, ENSURE THAT THE POWER SUPPLY VOLTAGE MATCHES THE POWER SUPPLY VOLTAGE REQUIRED BY THE EQUIPMENT.
- PLEASE GROUND THE CONDUCTOR TO PREVENT ELECTRIC SHOCK.
- IT IS PROHIBITED TO CONNECT LAMPS DIRECTLY TO DIMMING DEVICES.
- DO NOT PLACE FLAMMABLE OBJECTS NEAR THE LAMP WHEN IT IS RUNNING TO PREVENT FIRE HAZARD.
- PLEASE CHECK THE POWER CORD CAREFULLY FOR DAMAGE BEFORE TURNING ON THE LAMP. IF DAMAGED, PLEASE REPLACE IT IMMEDIATELY.

- PREVENT FLAMMABLE LIQUIDS, WATER OR METAL AND OTHER CONDUCTIVE OBJECTS FROM ENTERING THE LAMP TO AVOID ELECTRIC SHOCK OR FIRE. IF FOREIGN OBJECTS ENTER THE LAMP, PLEASE CUT OFF THE POWER SUPPLY IMMEDIATELY.
- AVOID OPERATING THE LAMP IN A DIRTY, DUSTY ENVIRONMENT, AND CLEAN AND MAINTAIN THE LAMP REGULARLY.
- DO NOT TOUCH THE WIRES WHEN THE LAMP IS RUNNING TO PREVENT ELECTRIC SHOCK.
- AVOID ENTANGLEMENT OF THE POWER CORD WITH OTHER CABLES.
- DO NOT SWITCH THE LIGHT ON AND OFF REPEATEDLY.
- IF THERE IS OBVIOUS DAMAGE TO THE LAMP HOUSING, LENS OR UV FILTER, PLEASE REPLACE IT IN TIME.
- THERE ARE NO USABLE PARTS INSIDE THE LAMP, PLEASE DO NOT OPEN THE LAMP CASING WITHOUT AUTHORIZATION.
- IF THE MACHINE FAILS, PLEASE STOP USING IT IMMEDIATELY AND TURN OFF THE POWER FOR INSPECTION. NON-PROFESSIONAL TECHNICIANS ARE NOT ALLOWED TO REPAIR IT BY THEMSELVES. IF YOU NEED HELP, PLEASE CONTACT THE NEAREST AUTHORIZED SALES/TECHNICAL CENTER.
- PLEASE CUT OFF THE POWER SUPPLY WHEN THE LAMP IS NOT USED FOR A LONG TIME OR IS UNDER MAINTENANCE.
- WHEN TRANSPORTING AGAIN, PLEASE USE THE ORIGINAL PACKAGING MATERIALS.
- DO NOT LOOK DIRECTLY AT THE LAMP WHILE IT IS OPERATING.
- DO NOT OPERATE THE LAMP WITHOUT ITS PROTECTIVE COVER OR IF THE CASING IS DAMAGED.

TECHNICAL
SPECIFICATIONS

02



03

LIGHTING INSTALLATION

THE INSTALLATION OF THE EQUIPMENT SHOULD BE CARRIED OUT BY PROFESSIONALS AND SHOULD BE INSTALLED IN AREAS OUTSIDE WALKWAYS, SEATING AREAS, OR AWAY FROM AREAS WHERE UNAUTHORIZED PERSONNEL MAY TOUCH THE LAMP WITH THEIR HANDS. NEVER STAND DIRECTLY UNDER THE LAMP WHEN ASSEMBLING, DISASSEMBLING OR REPAIRING THE LAMP. WHEN INSTALLING THE LAMP, MAKE SURE THE LAMP IS FIRMLY INSTALLED TO PREVENT IT FROM VIBRATING AND SLIDING DURING OPERATION. ALSO MAKE SURE THAT THE STRUCTURE THAT FIXES THE LAMP CAN SUPPORT 10 TIMES THE WEIGHT OF THE LAMP WITHOUT DEFORMATION. WHEN INSTALLING THE LAMP, USE A SAFETY ROPE THAT CAN SUPPORT 12 TIMES THE WEIGHT OF THE LAMP TO ENSURE THAT THE LAMP WILL NOT FALL IF THE CLAMP FAILS. THIS FIXTURE IS FULLY OPERATIONAL IN 2 DIFFERENT MOUNTING POSITIONS: HANGING UPSIDE DOWN, OR PLACED ON A FLAT, LEVEL SURFACE. ALWAYS USE AND INSTALL THE INCLUDED SAFETY CORD AS A SAFETY MEASURE TO PREVENT ACCIDENTAL DAMAGE TO THE FIXTURE OR PERSONAL INJURY IN THE EVENT OF FIXTURE FAILURE.

CHANNEL
DESCRIPTION

044

1: 42CH mode

aisle	Function	DMX Value	describe
1	X-axis	0-255	0-540 degrees
2	X-axis fine adjustment	0-255	16bit adjustable
3	Y-axis	0-255	0-205 degrees
4	Y-axis fine adjustment	0-255	16bit adjustable
5	XY Speed	0-255	Speed from fast to slow
6	focusing	0-255	Angle linear adjustment from small to large
7	Rotating Mirror	0-127	0~60 degrees
		128-188	The mirror rotates counterclockwise from fast to slow
		189-193	The mirror stops rotating
		194-255	The mirror rotates clockwise from slow to fast
8	Total dimming	0-255	Linear dimming from dark to bright
9	Strobe	0-19	Shut off light
		20-24	Consecration
		25-69	Normal strobe

		70-89	Fast opening and slow closing (from fast to slow)
		90-109	Slow opening and fast closing (from fast to slow)
		110-129	Random strobe
		130-149	Random fast on and slow off (from fast to slow)
		150-169	Random slow on and fast off (from fast to slow)
		170-189	Pulse strobe (from fast to slow)
		190-209	Random pulse strobe (from fast to slow)
		210-229	Gradually brighten and fade out (from fast to slow)
		230-244	Pulse strobe 2 (from fast to slow)
		245-255	Consecration
10	red	0-255	Linear dimming from dark to bright
11	green	0-255	Linear dimming from dark to bright
12	blue	0-255	Linear dimming from dark to bright
13	White	0-255	Linear dimming from dark to bright
14	Color temperature adjustment	0-255	Color temperature adjustment
15	Color gradient	0-255	Color Macro Function
16	Built-in effects	0-19	Dimming Mode
		20-255	Effect 1-13 (20 numbers for one effect)
17	Effect Speed	0-127	Effect speed is from fast to slow
		128	stop
		129-255	Effect speed reverses from fast to fast

		5	
18	Background red	0-255	Built-in effect background red 0-100%
19	Background Green	0-255	Built-in effect background green 0-100%
20	Background blue	0-255	Built-in effect background blue 0-100%
twenty one	Background white	0-255	Built-in effect background white 0-100%
twenty two	Reset	0-25	No function
		26-76	Effect motor reset (lamp body reset is effective for 5 seconds)
		77-127	XY motor reset (lamp reset is effective for 5 seconds)
		128-255	All motors reset (lamp reset is effective for 5 seconds)
twenty three	Switching lights	0	Turn off the lights
		1 to 255	Light on 1-100%
twenty four	Strobe	1 to 255	Strobe speed selection
25	Horizontal position	0 to 255	Horizontal position selection, the value 128 is the middle position, and it is effective when CH3 is 1-255
26	Vertical Position	0 to 255	Vertical position selection, the value 128 is the middle position, and it is effective only when CH3 is 1-255
27	Pattern File	0 to 255	Select a pattern file from the pattern library
28	color	0~63	Fixed color selection
		64 ~ 95	Fixed color / color changing effect speed selection
		96 ~ 127	Color changing effect speed selection

		128 to 159	Color changing effect speed selection /water flow effect speed selection
		160 ~ 191	Water flow speed selection
		192 ~ 223	Water flow speed selection
		224 to 255	Gradient effect speed selection
29	Line scan speed	0 ~ 127	Line scan speed selection
	Point scanning speed	128 ~ 255	Point scanning speed selection
30	Pattern and Effect Libraries	0 to 255	Select a pattern library and effect library for every 8 values
31	Automatic trigger	0 ~ 26	Default self-propelled speed
		27 to 127	Select the self-propelled speed
	Voice trigger	128 ~ 255	Select the voice control sensitivity
32	Rotate Z	1 to 127	Rotate Z angle selection
		128 ~ 255	Rotation Z speed selection
33	Rotate X	1 ~ 127	Rotate X angle selection
		128 ~ 255	Rotation X speed selection
34	Rotate Y	1 ~ 127	Rotate Y angle selection
		128 ~ 255	Rotation Y speed selection
35	Horizontal movement	1 to 127	Horizontal movement position selection
		128 ~ 255	Horizontal movement speed selection
36	Vertical movement	1 to 127	Vertical movement position selection
		128 ~ 255	Vertical moving speed selection
37	Zoom	1 to 127	Scaling size selection
		128 ~ 255	Zoom speed selection
38	Gradual Drawing	1 to 255	Gradient speed selection
39	X-Wave	1 to	X wave speed selection

		127	
	Y Wave	128 ~ 255	Y wave speed selection
40	red	0 to 255	Red 0-100%
41	green	0 to 255	Green 0-100%
42	blue	0 to 255	Blue 0-100%

2: 70CH point control mode

aisle	Function	DMX Value	describe
1	X-axis	0-255	0-540 degrees
2	X-axis fine adjustment	0-255	16bit adjustable
3	Y-axis	0-255	0-205 degrees
4	Y-axis fine adjustment	0-255	16bit adjustable
5	XY Speed	0-255	Speed from fast to slow
6	focusing	0-255	Angle linear adjustment from small to large
7	Rotating Mirror	0-127	0~60 degrees
		128-18 8	The mirror rotates counterclockwise from fast to slow

		189-19 3	The mirror stops rotating
		194-25 5	The mirror rotates clockwise from slow to fast
8	Total dimming	0-255	Linear dimming from dark to bright
9	Strobe	0-19	Shut off light
		20-24	Consecration
		25-69	Normal strobe
		70-89	Fast opening and slow closing (from fast to slow)
		90-109	Slow opening and fast closing (from fast to slow)
		110-129	Random strobe
		130-149	Random fast on and slow off (from fast to slow)
		150-169	Random slow on and fast off (from fast to slow)
		170-189	Pulse strobe (from fast to slow)
		190-209	Random pulse strobe (from fast to slow)
		210-229	Gradually brighten and fade out (from fast to slow)
		230-244	Pulse strobe 2 (from fast to slow)
		245-255	Consecration
10	red	0-255	Linear dimming from dark to bright
11	green	0-255	Linear dimming from dark to bright
12	blue	0-255	Linear dimming from dark to bright
13	White	0-255	Linear dimming from dark to bright
14	Color	0-255	Color temperature adjustment

	temperature adjustment		
15	Color gradient	0-255	Color Macro Function
16	Built-in effects	0-19	Dimming Mode
		20-25 5	Effect 1-13 (20 numbers for one effect)
17	Effect Speed	0-127	Effect speed is from fast to slow
		128	stop
		129-25 5	Effect speed reverses from fast to fast
18	Background red	0-255	Built-in effect background red 0-100%
19	Background Green	0-255	Built-in effect background green 0-100%
20	Background blue	0-255	Built-in effect background blue 0-100%
twenty one	Background white	0-255	Built-in effect background white 0-100%
twenty two	Reset	0-25	No function
		26-76	Effect motor reset (lamp body reset is effective for 5 seconds)
		77-127	XY motor reset (lamp reset is effective for 5 seconds)
		128-25 5	All motors reset (lamp reset is effective for 5 seconds)
twenty y	Red 1	0-255	Red 1 linear dimming from dark to bright

three			
twenty four	Green 1	0-255	Green 1 linear dimming from dark to bright
25	Blue 1	0-255	Blue 1 linear dimming from dark to bright
26	White 1	0-255	White 1 linear dimming from dark to bright
27	Red 2	0-255	Red 2 linear dimming from dark to bright
28	Green 2	0-255	Green 2 linear dimming from dark to bright
29	Blue 2	0-255	Blue 2 linear dimming from dark to bright
30	White 2	0-255	White 2 linear dimming from dark to bright
31	Red 3	0-255	Red 3 linear dimming from dark to bright
32	Green 3	0-255	Green 3 Linear dimming from dark to bright
33	Blue 3	0-255	Blue 3 linear dimming from dark to bright
34	White 3	0-255	White 3 linear dimming from dark to bright
35	Red 4	0-255	Red 4 linear dimming from dark to bright
36	Green 4	0-255	Green 4 Linear dimming from dark to bright
37	Blue 4	0-255	Blue 4 linear dimming from dark to bright
38	White 4	0-255	White 4 linear dimming from dark to bright
39	Red 5	0-255	Red 5 linear dimming from dark to bright
40	Green 5	0-255	Green 5 linear dimming from dark to bright
41	Blue 5	0-255	Blue 5 linear dimming from dark to bright
42	White 5	0-255	White 5 linear dimming from dark to bright
43	Red 6	0-255	Red 6 linear dimming from dark to bright

44	Green 6	0-255	Green 6 Linear dimming from dark to bright
45	Blue 6	0-255	Blue 6 linear dimming from dark to bright
46	White 6	0-255	White 6 linear dimming from dark to bright
47	Red 7	0-255	Red 7 linear dimming from dark to bright
48	Green 7	0-255	Green 7 Linear dimming from dark to bright
49	Blue 7	0-255	Blue 7 linear dimming from dark to bright
50	White 7	0-255	White 7 linear dimming from dark to bright
51	Switching lights	0	Turn off the lights
		1 to 255	Light on 1-100%
52	Strobe	1 to 255	Strobe speed selection
53	Horizontal position	0 to 255	Horizontal position selection, the value 128 is the middle position, and it is effective when CH3 is 1-255
54	Vertical Position	0 to 255	Vertical position selection, the value 128 is the middle position, and it is effective only when CH3 is 1-255
55	Pattern File	0 to 255	Select a pattern file from the pattern library
56	color	0~63	Fixed color selection
		64 ~ 95	Fixed color / color changing effect speed selection
		96 ~ 127	Color changing effect speed selection
		128 to 159	Color changing effect speed selection / water flow effect speed selection
		160 ~ 191	Water flow speed selection
		192 ~ 223	Water flow speed selection
	224 to 255	Gradient effect speed selection	
57	Line scan speed	0 ~ 127	Line scan speed selection
	Point scanning speed	128 ~ 255	Point scanning speed selection
58	Pattern and	0 to	Select a pattern library and effect library for

	Effect Libraries	255	every 8 values
59	Automatic trigger	0 ~ 26	Default self-propelled speed
		27 to 127	Select the self-propelled speed
	Voice trigger	128 ~ 255	Select the voice control sensitivity
60	Rotate Z	1 to 127	Rotate Z angle selection
		128 ~ 255	Rotation Z speed selection
61	Rotate X	1 to 127	Rotate X angle selection
		128 ~ 255	Rotation X speed selection
62	Rotate Y	1 ~ 127	Rotate Y angle selection
		128 ~ 255	Rotation Y speed selection
63	Horizontal movement	1 ~ 127	Horizontal movement position selection
		128 ~ 255	Horizontal movement speed selection
64	Vertical movement	1 ~ 127	Vertical movement position selection
		128 ~ 255	Vertical moving speed selection
65	Zoom	1 to 127	Scaling size selection
		128 ~ 255	Zoom speed selection
66	Gradual Drawing	1 to 255	Gradient speed selection
67	X-Wave	1 to 127	X wave speed selection
	Y Wave	128 ~ 255	Y wave speed selection
68	red	0 to 255	Red 0-100%
69	green	0 to 255	Green 0-100%
70	blue	0 to 255	Blue 0-100%

05

TROUBLESHOOTING

THE FOLLOWING ARE SOME COMMON PROBLEMS THAT OCCUR DURING DEVICE OPERATION, ALONG WITH SOME SUGGESTIONS FOR TROUBLESHOOTING:

A. THE LAMP DOES NOT WORK AND THERE IS NO LIGHT.

1. CHECK THE POWER SUPPLY CONTACTS.
2. DETECT VOLTAGE.
3. CHECK THE INDICATOR LIGHT ON THE POWER SWITCH.

B. NOT CONTROLLED BY THE CONSOLE

1. CHECK WHETHER THE DMX SIGNAL CONNECTOR AND SIGNAL CABLE ARE CONNECTED CORRECTLY.
2. CHECK WHETHER THE ADDRESS CODE SETTING IS CORRECT.
3. IF THE DMX SIGNAL TRANSMISSION IS INTERMITTENT, CHECK WHETHER THE XLR SOCKET AND THE SIGNAL CABLE ARE WELL CONNECTED.
4. TRY WITH ANOTHER CONTROLLER.
5. CHECK IF THE DMX SIGNAL LINE AND HIGH VOLTAGE WIRE ARE TOO CLOSE, WHICH MAY DAMAGE OR INTERFERE WITH THE SIGNAL CIRCUIT.

EQUIPMENT CLEANING

IN ORDER TO MAINTAIN THE BEST PERFORMANCE OF THE LAMP AND ENSURE THE BEST LIGHTING EFFECT, IT IS ABSOLUTELY NECESSARY TO KEEP THE LAMP CLEAN. THE LAMP MUST BE CLEANED REGULARLY TO PREVENT DUST, DIRT AND SMOKE RESIDUES FROM ACCUMULATING ON THE SURFACE OR INSIDE THE LAMP. THE CLEANING FREQUENCY DEPENDS ON THE APPLICATION ENVIRONMENT. IF DUST ENTERS THE LAMP DUE TO THE INSTALLATION ENVIRONMENT, PLEASE CLEAN IT IMMEDIATELY TO AVOID DAMAGE TO THE OPTICAL PART OF THE LAMP DUE TO EXCESSIVE DUST.

*IT IS RECOMMENDED TO USE A SOFT, LINT-FREE CLOTH AND A GOOD QUALITY GLASS CLEANING FLUID. DO NOT USE SOLVENTS UNDER ANY CIRCUMSTANCES.

*DRY THE PARTS CAREFULLY.

*WIPE THE OUTSIDE OF THE LENS AT LEAST EVERY 30 DAYS.