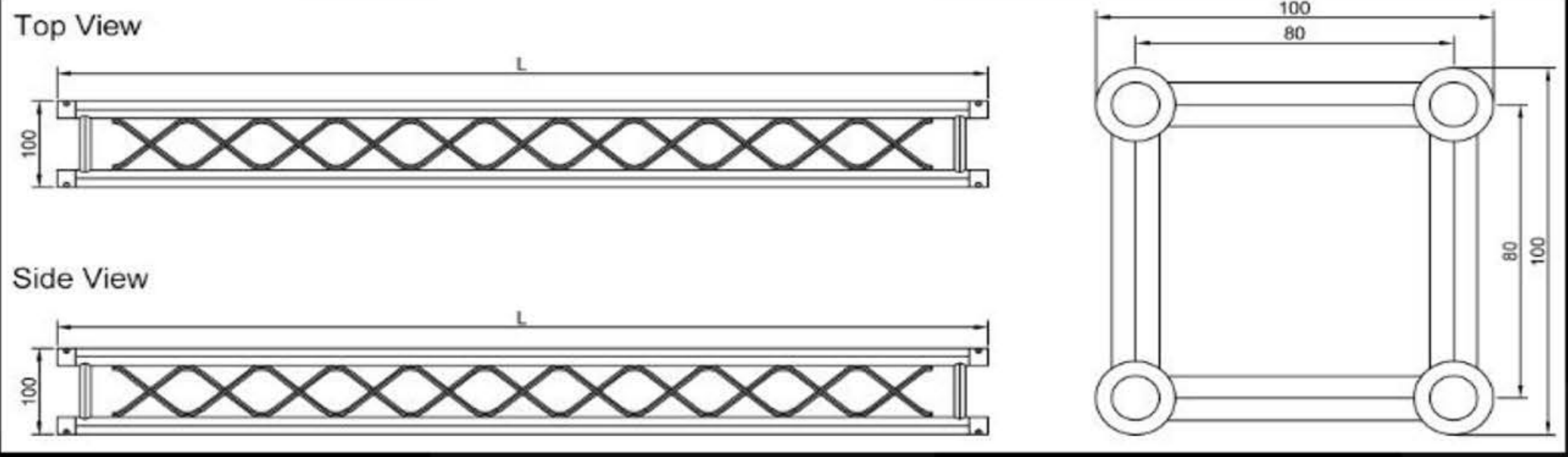


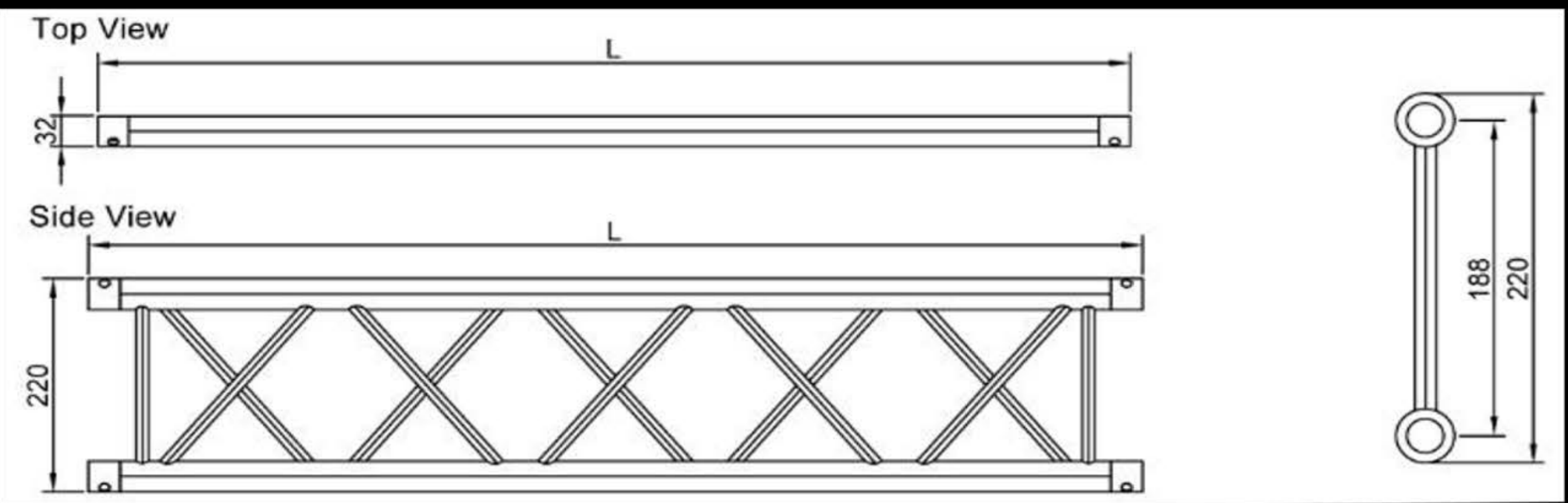
TABLA DE PESOS TRUSS

APEX STAGE



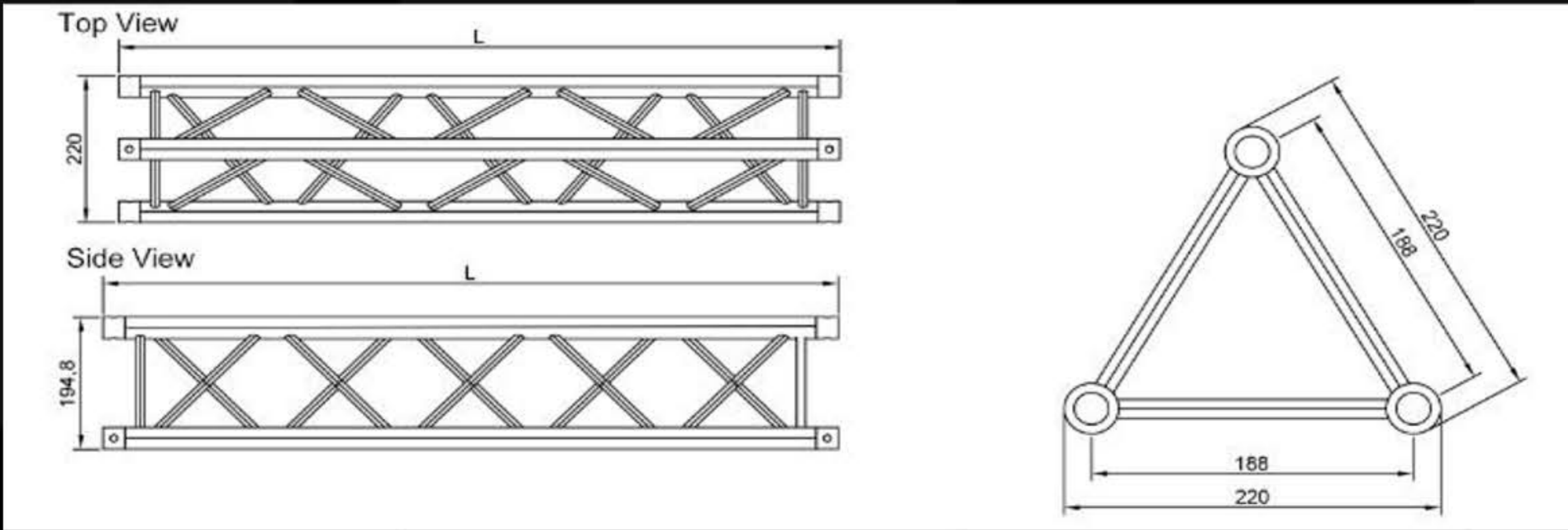
GPPSST1010		Span(m)	2m	3m	4m	5m	6m
Section Type Spigot Square Material: 6061-T6/6082-T6 Main tube: $\phi 20 \times 2 \text{mm}$ Braces: Solid bar $\phi 5 \text{mm}$ Weight: $\sim 1.3 \text{kg/m}$	(kg)		300	160	90	55	32
	(mm)		8	45	70	95	110
	(kg)		180	140	110	85	68
	(mm)		8	30	45	63	75

inch=25.4mm 1m=3.28ft 1 lbs=0.453kg



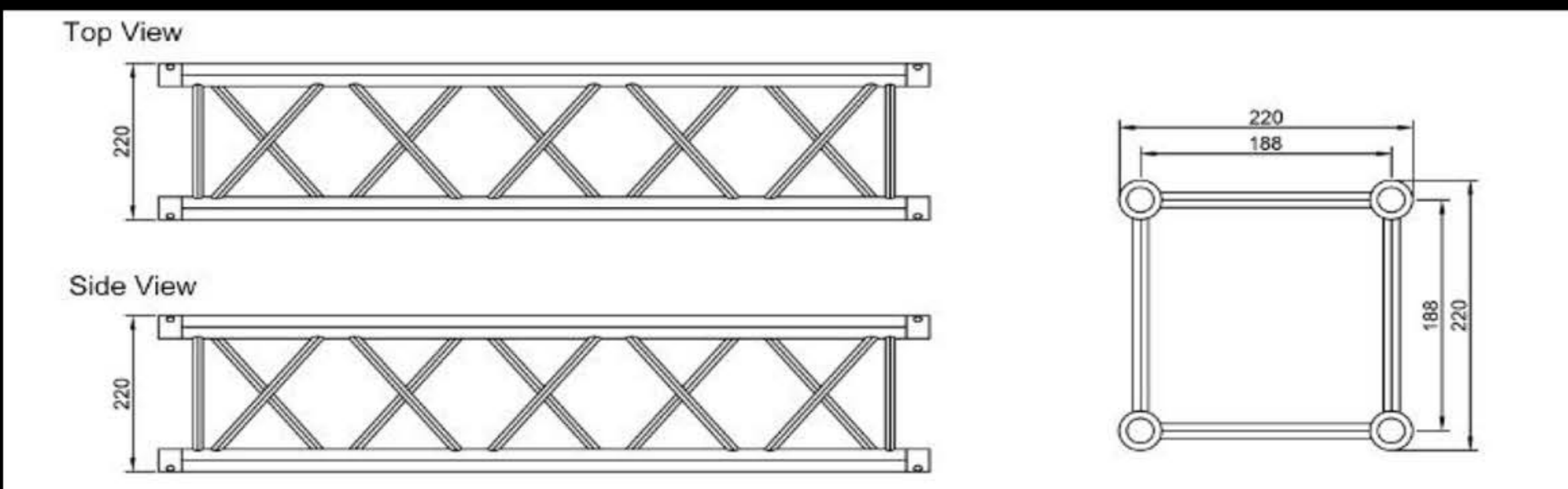
GPPLST22		Span(m)	4m	6m	8m	10m
Section Type Spigot Ladder Material: 6061-T6/6082-T6 Main tube: $\phi 32 \times 2 \text{mm}$ Vice tube: $\phi 16 \times 2 \text{mm}$ Braces: $\phi 16 \times 2 \text{mm}$ Weight: $\sim 1.3 \text{kg/m}$	(kg)		200	174	130	80
	(mm)		2	6	15	36
	(kg)		125	90	68	43
	(mm)		3	7	11	23

1 inch=25.4mm 1m=3.28ft 1 lbs=0.453kg



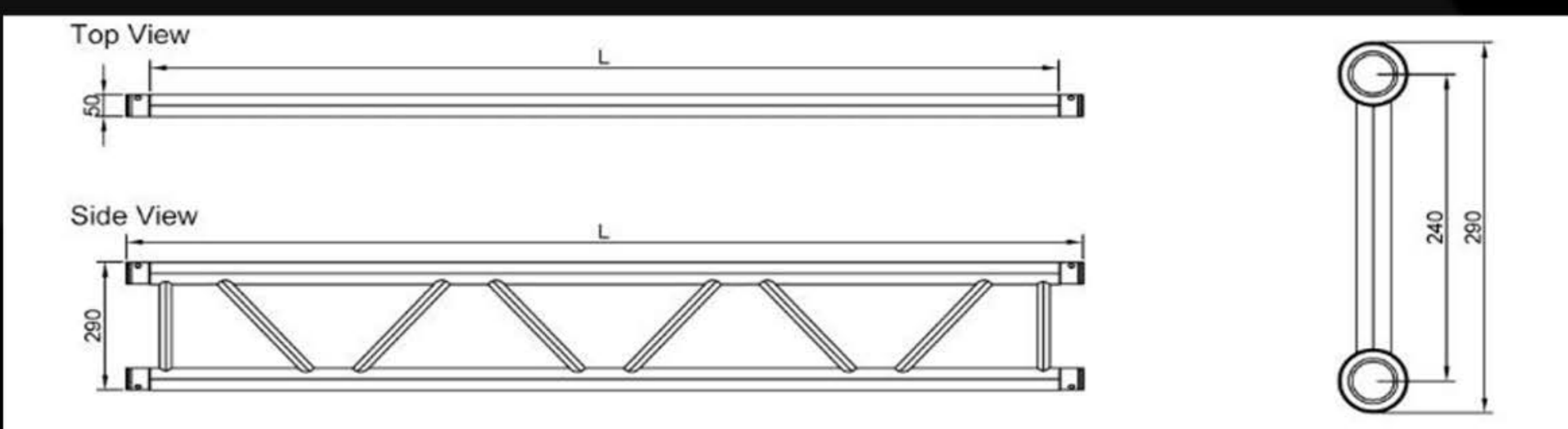
GPPTST22	Span(m)	2m	4m	6m	8m	10m
Section Type Spigot Triangular	(kg)	165.1	55.1	23.6	12.6	7.5
Material: 6061-T6/6082-T6	(mm)	2.5	11.5	27	48	75
Main tube: $\phi 32 \times 2 \text{mm}$	(kg)	220.5	115.3	75.8	50.3	37.5
Vice tube: $\phi 16 \times 2 \text{mm}$	(mm)	2	10	22.5	35	62
Braces: $\phi 16 \times 2 \text{mm}$						
Weight: $\sim 3.6 \text{kg/m}$						





1 inch=25.4mm 1m=3.28ft 1 lbs=0.453kg



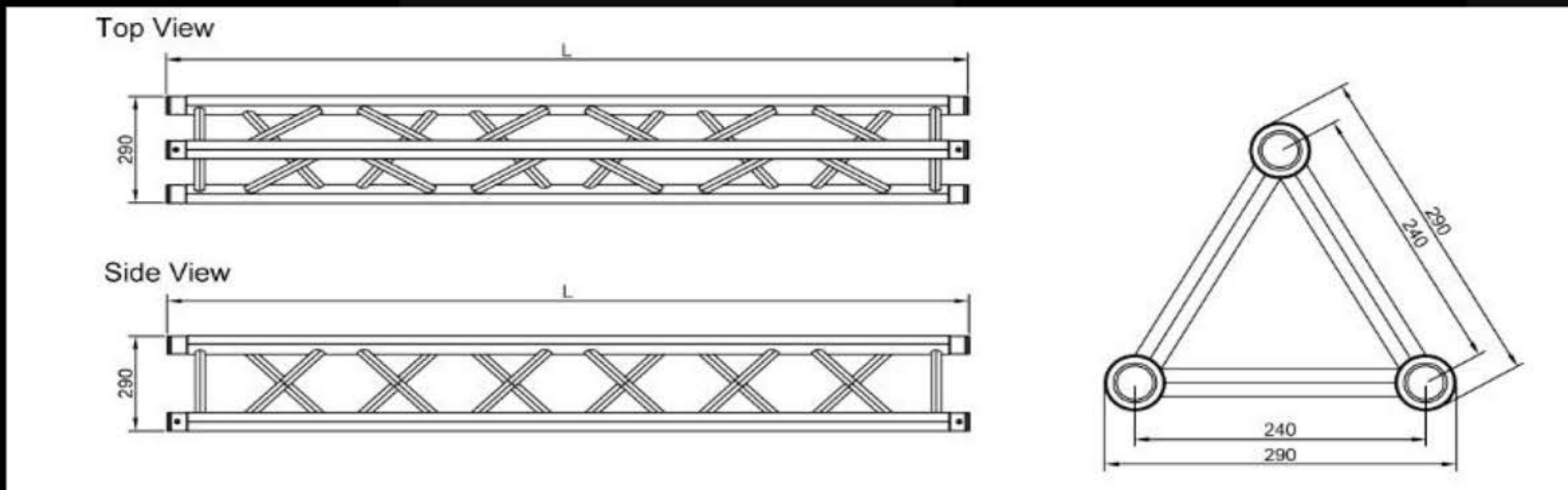
GPPSST2222	Span(m)	2m	4m	6m	8m
Section Type Spigot Square	(kg)	520	400	210	125
Material: 6061-T6/6082-T6	(mm)	4	21	45	75
Main tube: $\phi 32 \times 2 \text{mm}$	(kg)	355	300	252	220
vice tube: $\phi 16 \times 2 \text{mm}$	(mm)	2	15	31	52
Braces: $\phi 16 \times 2 \text{mm}$					
Weight: $\sim 4.5 \text{kg/m}$					





1 inch=25.4mm 1m=3.28ft 1 lbs=0.453kg



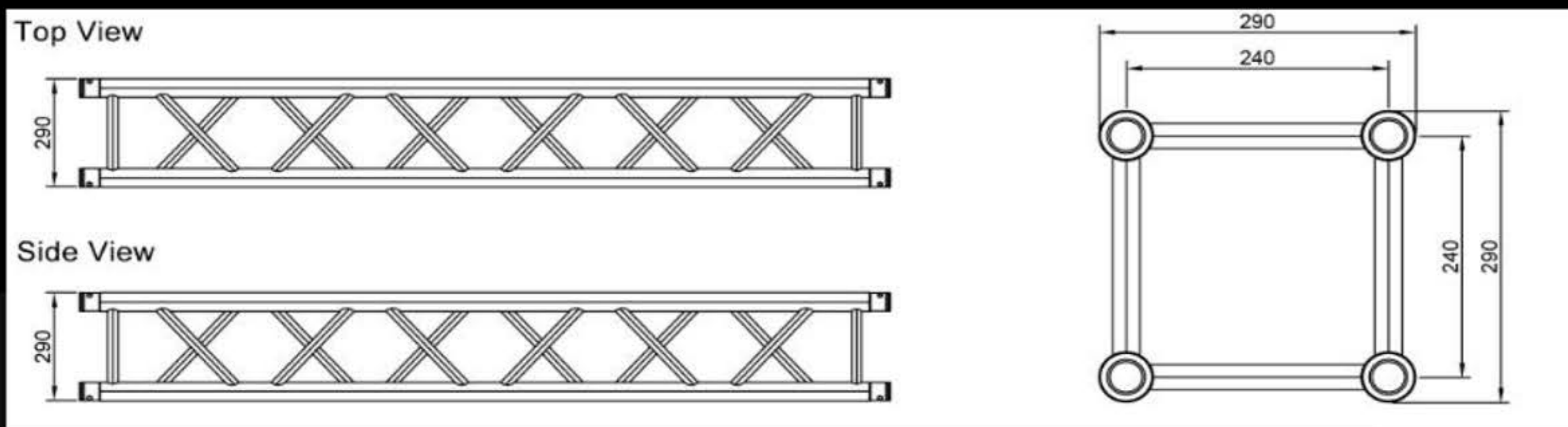
GPPLST29	Span(m)	4m	5m	6m	8m
Section Type Spigot Ladder Material: 6061-T6/6082-T6 Main tube: $\phi 50 \times 3 \text{mm}$ Vice tube: $\phi 20 \times 2 \text{mm}$ Braces: $\phi 20 \times 2 \text{mm}$ Weight: $\sim 3.14 \text{kg/m}$	 (kg)	420	340	130	150
	 (mm)	6	10	28	61
	 (kg)	212	158	120	73
	 (mm)	6	17	28	43

1 inch=25.4mm 1m=3.28ft 1 lbs=0.453kg



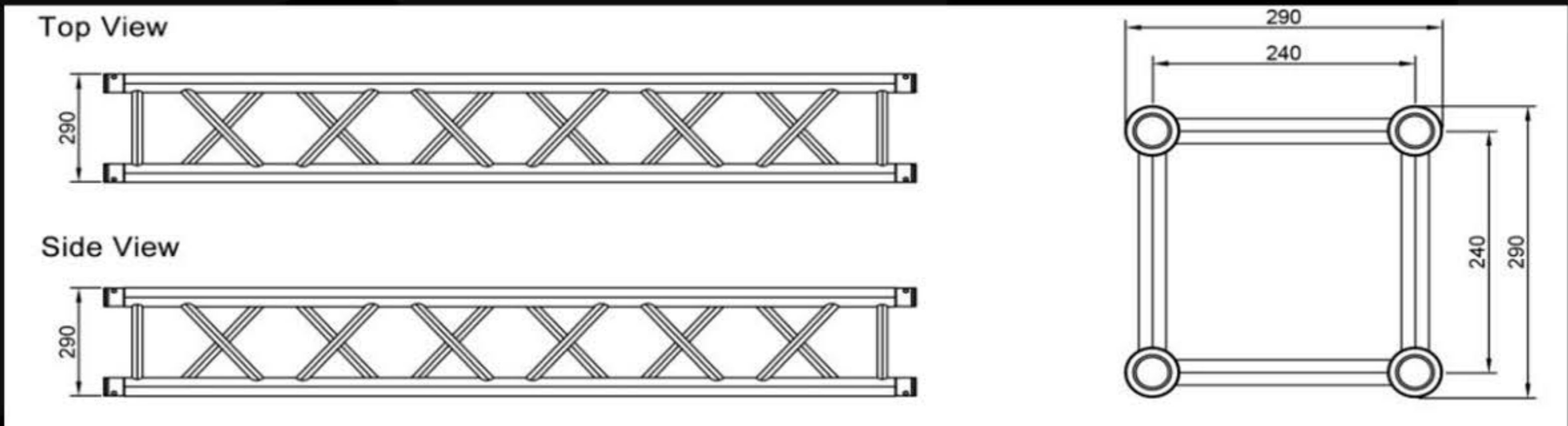
GPPTST29	Span(m)	2m	4m	6m	8m	10m
Section Type Spigot Triangular Material: 6061-T6/6082-T6 Main tube: $\phi 50 \times 3 \text{mm}$ Vice tube: $\phi 20 \times 2 \text{mm}$ Braces: $\phi 20 \times 2 \text{mm}$ Weight: $\sim 6.5 \text{kg/m}$	 (kg)	1360	450	180	102	63
	 (mm)	10	45	75	150	210
	 (kg)	880	635	470	350	265
	 (mm)	6	31	55	112	153


1 inch=25.4mm 1m=3.28ft 1 lbs=0.453kg



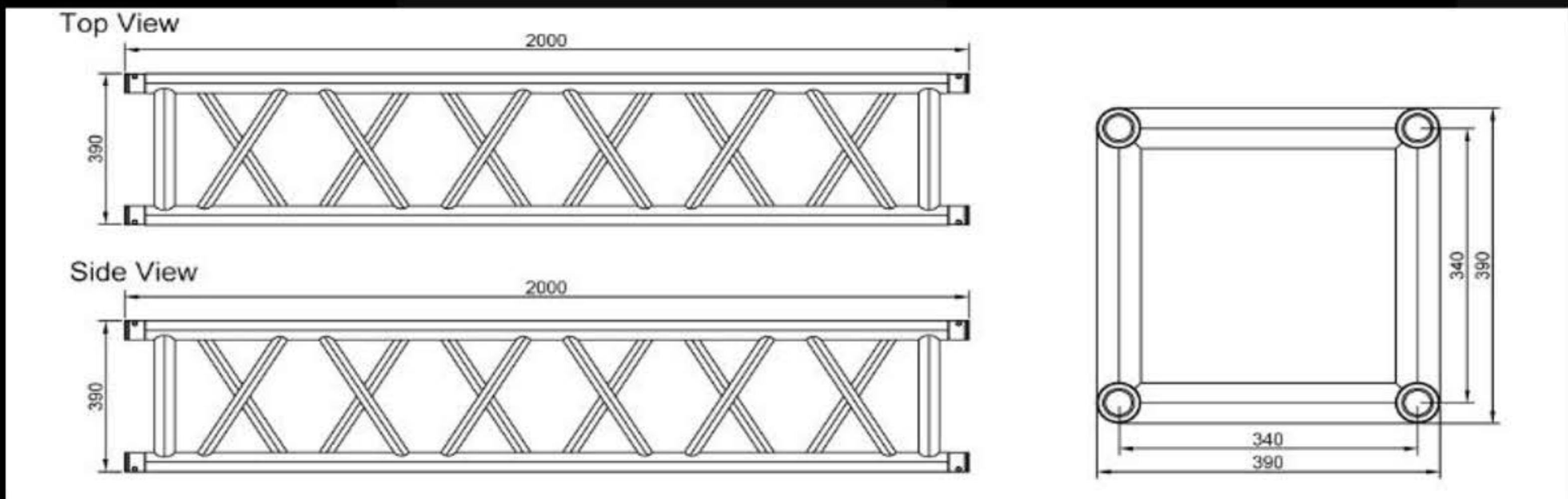
GPPSST2929	Span(m)	2m	4m	6m	8m	10m	12m	14m
Section Type Spigot Square Material: 6061-T6/6082-T6 Main tube: $\phi 50 \times 3 \text{mm}$ vice tube: $\phi 20 \times 2 \text{mm}$ Braces: $\phi 20 \times 2 \text{mm}$ Weight: $\sim 7.8 \text{kg/m}$	 (kg)	1400	435	265	166	123	81	58
	 (mm)	5	22	35	68	90	128	176
	 (kg)	1248	940	738	595	500	433	380
	 (mm)	4	14	21	45	65	115	155





1 inch=25.4mm 1m=3.28ft 1 lbs=0.453kg



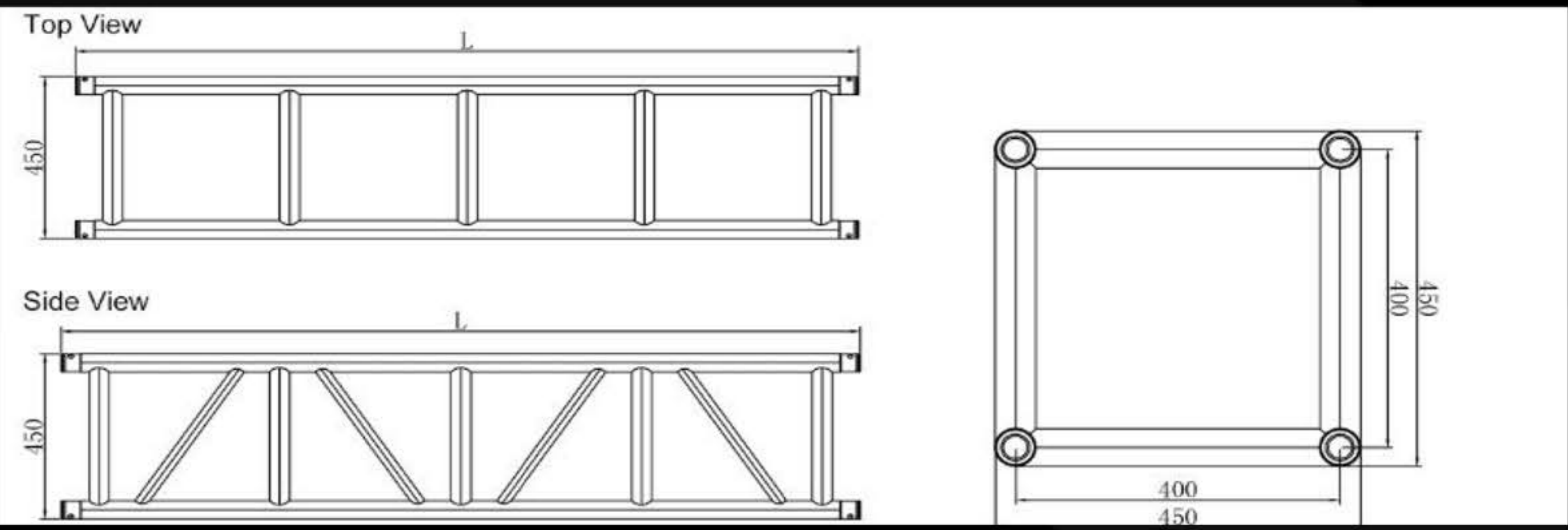
GPPSST2929B		Span(m)	2m	4m	6m	8m	10m	12m
Section Type Spigot Square Material: 6061-T6/6082-T6 Main tube: $\phi 50 \times 2 \text{mm}$ vice tube: $\phi 20 \times 2 \text{mm}$ Braces: $\phi 20 \times 2 \text{mm}$ Weight: $\sim 6 \text{kg/m}$	 (kg)		800	388	212	116	81	53
	 (mm)		10	19	41	75	116	164
	 (kg)		1030	798	562	394	306	241
	 (mm)		8	16	35	60	96	138





1 inch=25.4mm 1m=3.28ft 1 lbs=0.453kg



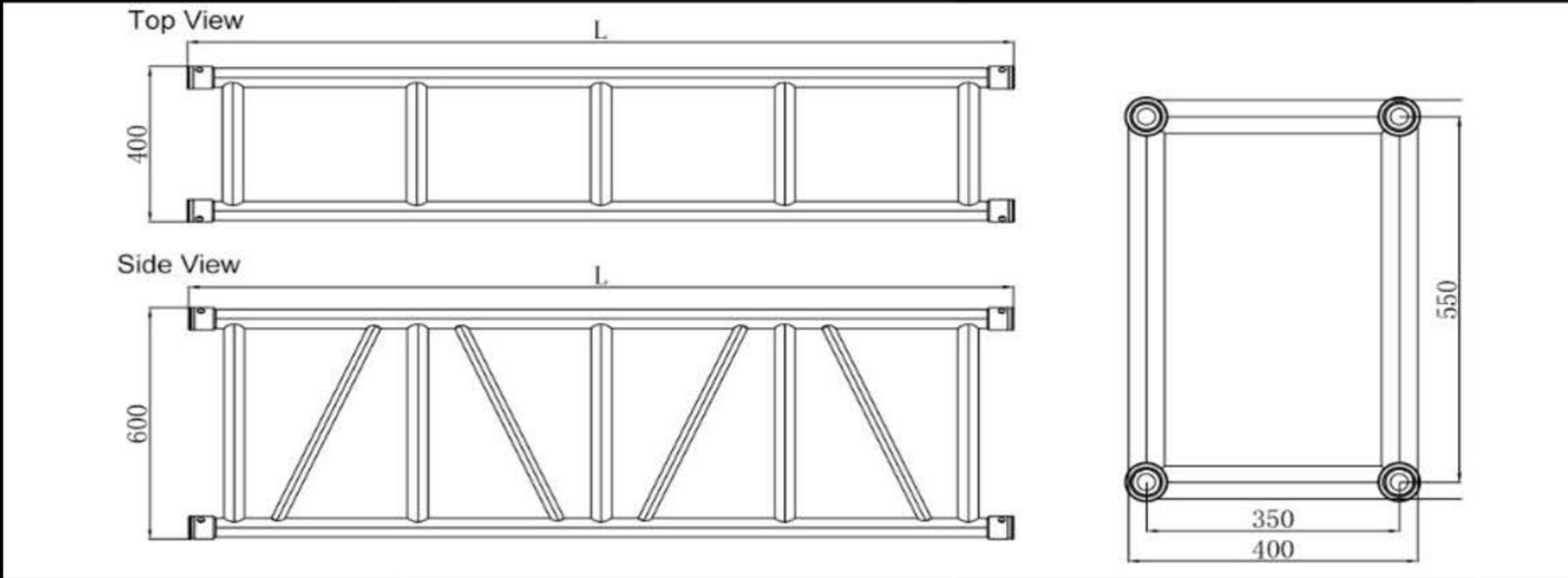
GPPSST3939		Span(m)	2m	4m	6m	8m	10m	12m	14m	16m	18m
Section Type Spigot Square Material: 6061-T6/6082-T6 Main tube: $\phi 50 \times 3 \text{mm}$ vice tube: $\phi 25 \times 2 \text{mm}$ Braces: $\phi 25 \times 2 \text{mm}$ Weight: $\sim 9 \text{kg/m}$	 (kg)		1350	525	288	190	146	108	90	66	55
	 (mm)		3	8	11	25	35	76	105	160	198
	 (kg)		1480	1168	958	740	600	568	548	488	447
	 (mm)		3	8	12	21	28	73	102	132	154





1 inch=25.4mm 1m=3.28ft 1 lbs=0.453kg



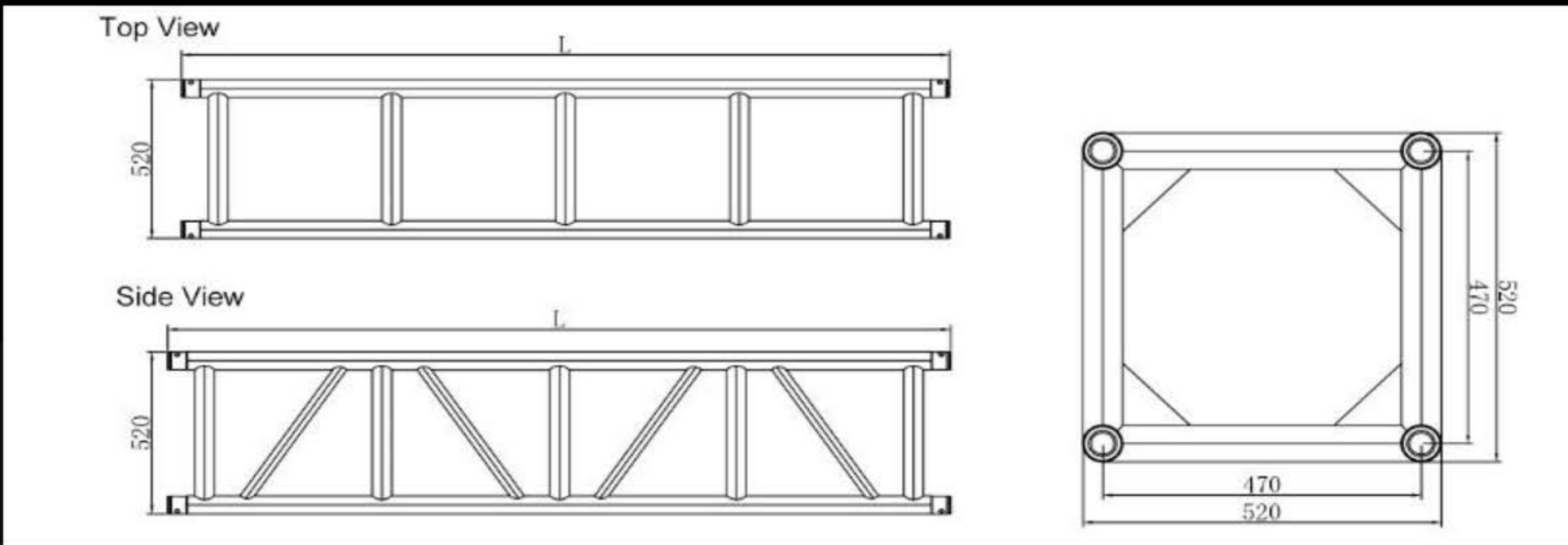
GPPSST4545		Span(m)	8m	10m	12m	14m	16m	18m	20m
Section Type Spigot Square Material: 6061-T6/6082-T6 Main tube: $\phi 50 \times 3 \text{mm}$ vice tube: $\phi 50 \times 2 \text{mm}$ Braces: $\phi 25 \times 2 \text{mm}$ Weight: $\sim 12 \text{kg/m}$	 (kg)	2065	1717	1490	1190	960	8255	500	
	 (kg)	30	62	90	123	160	190	207	
	 (mm)	1100	750	620	550	500	380	300	
	 (mm)	45	90	140	155	170	200	270	

1 inch=25.4mm 1m=3.28ft 1 lbs=0.453kg



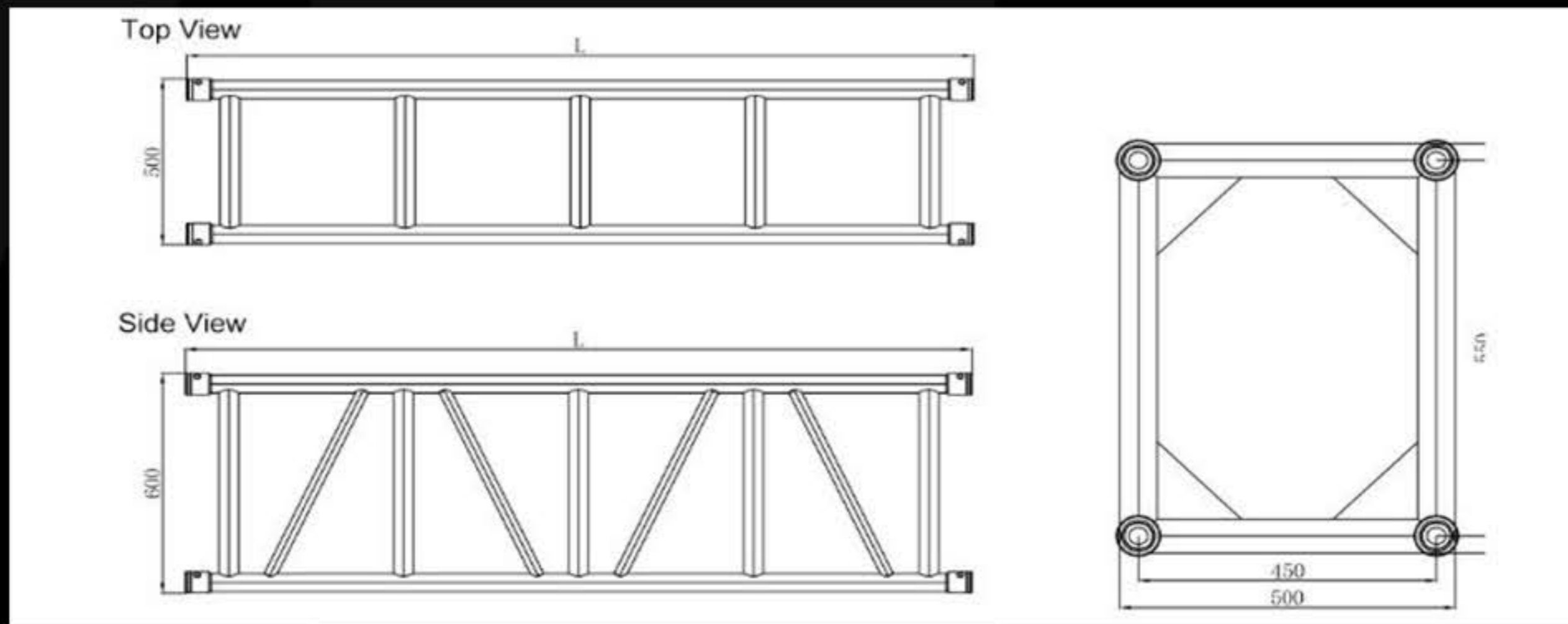
GPPSST4060		Span(m)	6m	8m	10m	12m	14m	16m	18m	20m
Section Type Spigot Square Material: 6061-T6/6082-T6 Main tube: $\phi 50 \times 3 \text{mm}$ vice tube: $\phi 50 \times 2 \text{mm}$ Braces: $\phi 25 \times 2 \text{mm}$ Weight: $\sim 11.15 \text{kg/m}$	 (kg)	2500	2100	1550	1250	1010	650	450	350	
	 (mm)	30	50	70	90	115	145	165	185	
	 (kg)	1450	1000	700	500	350	305	140	100	
	 (mm)	30	58	100	102	124	150	175	210	

1 inch=25.4mm 1m=3.28ft 1 lbs=0.453kg



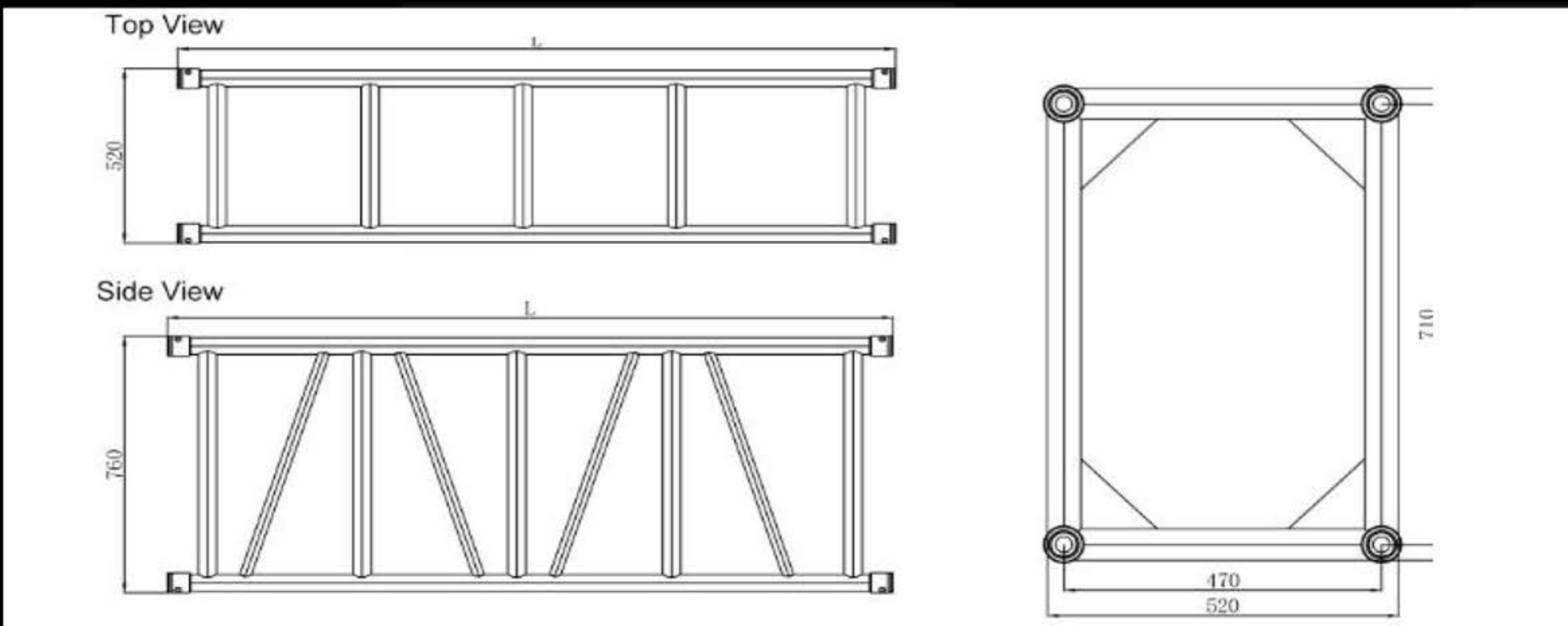
GPPSST5252		Span(m)	2m	4m	6m	8m	10m	12m	14m	16m	18m	20m
Section Type Spigot Square Material: 6061-T6/6082-T6 Main tube: $\phi 50 \times 3 \text{mm}$ vice tube: $\phi 50 \times 2 \text{mm}$ Braces: $\phi 25 \times 2 \text{mm}$ Weight: $\sim 13 \text{kg/m}$	 (kg)	1414	683	438	318	228	165	123	96	76	60	
	 (mm)	3	12	21	33	50	73	100	130	170	218	
	 (kg)	2196	1734	1346	1038	955	885	828	690	578	488	
	 (mm)	3	8	13	21	35	55	80	96	118	142	

1 inch=25.4mm 1m=3.28ft 1 lbs=0.453kg



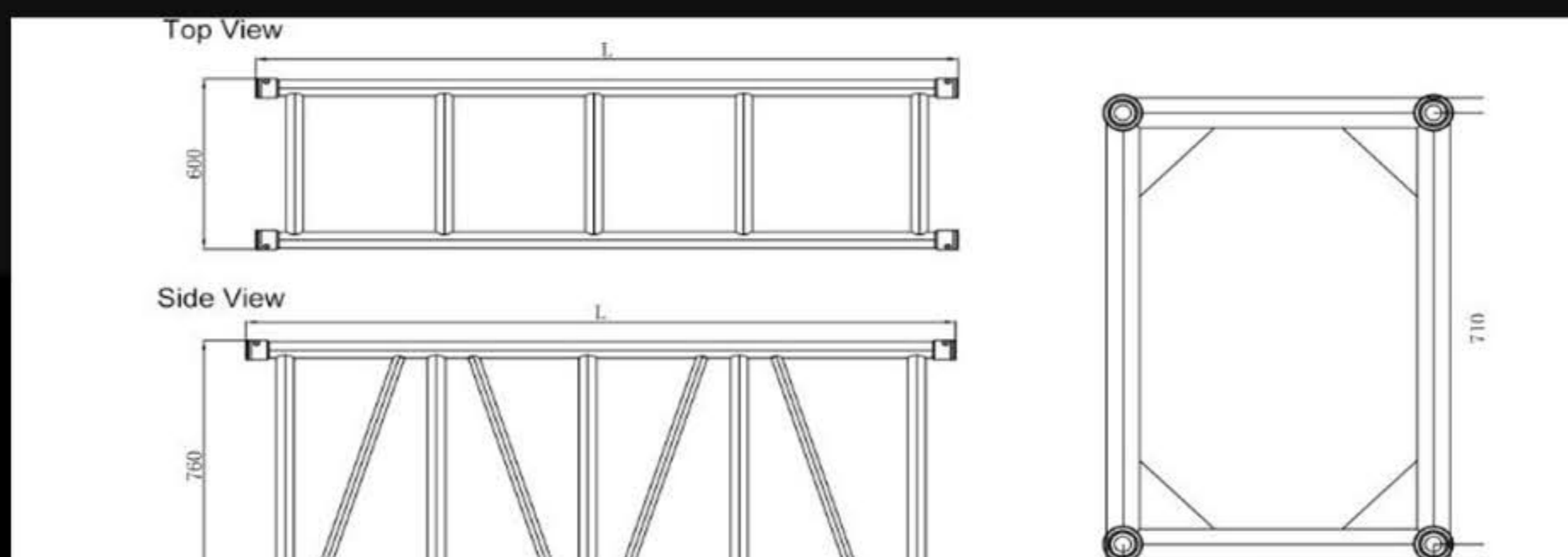
GPPSST5060		Span(m)	2m	4m	6m	8m	10m	12m	14m	16m	18m	20m	22m
Section Type Spigot Square		(kg)	1485	718	460	335	238	174	128	100	80	65	45
Material: 6061-T6/6082-T6		(mm)	4	12	22	35	53	78	105	138	180	228	280
Main tube: $\phi 50 \times 3 \text{mm}$		(kg)	2308	1818	1414	1090	1000	928	869	725	608	512	424
vice tube: $\phi 50 \times 2 \text{mm}$		(mm)	3	8	14	22	38	58	84	101	123	150	180
Braces: $\phi 25 \times 2 \text{mm}$													
Weight: $\sim 12.5 \text{kg/m}$													

1 inch=25.4mm 1m=3.28ft 1 lbs=0.453kg



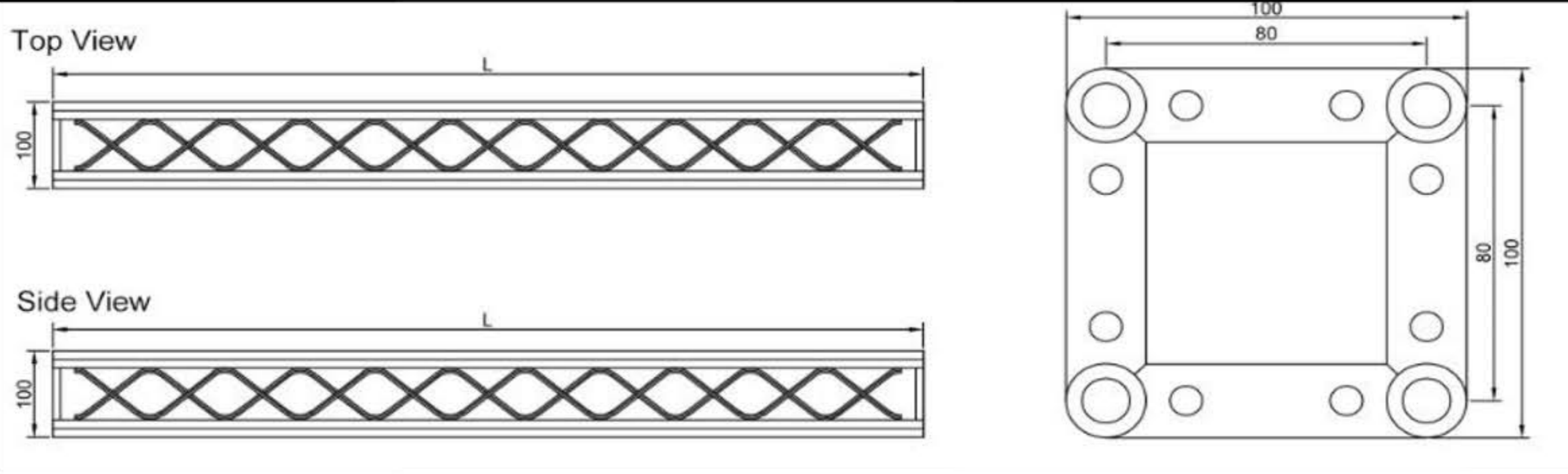
GPPSST5276		Span(m)	2m	4m	6m	8m	10m	12m	14m	16m	18m	20m	22m
Section Type Spigot Square		(kg)	1540	653	402	264	202	158	127	104	76	54	38
Material: 6061-T6/6082-T6		(mm)	4	11	16	32	42	56	73	92	118	148	181
Main tube: $\phi 50 \times 3 \text{mm}$		(kg)	2348	1912	1622	1370	1200	1045	910	808	740	683	638
vice tube: $\phi 50 \times 2 \text{mm}$		(mm)	3	8	12	20	25	35	46	58	76	96	123
Braces: $\phi 25 \times 2 \text{mm}$													
Weight: $\sim 17 \text{kg/m}$													




1 inch=25.4mm 1m=3.28ft 1 lbs=0.453kg



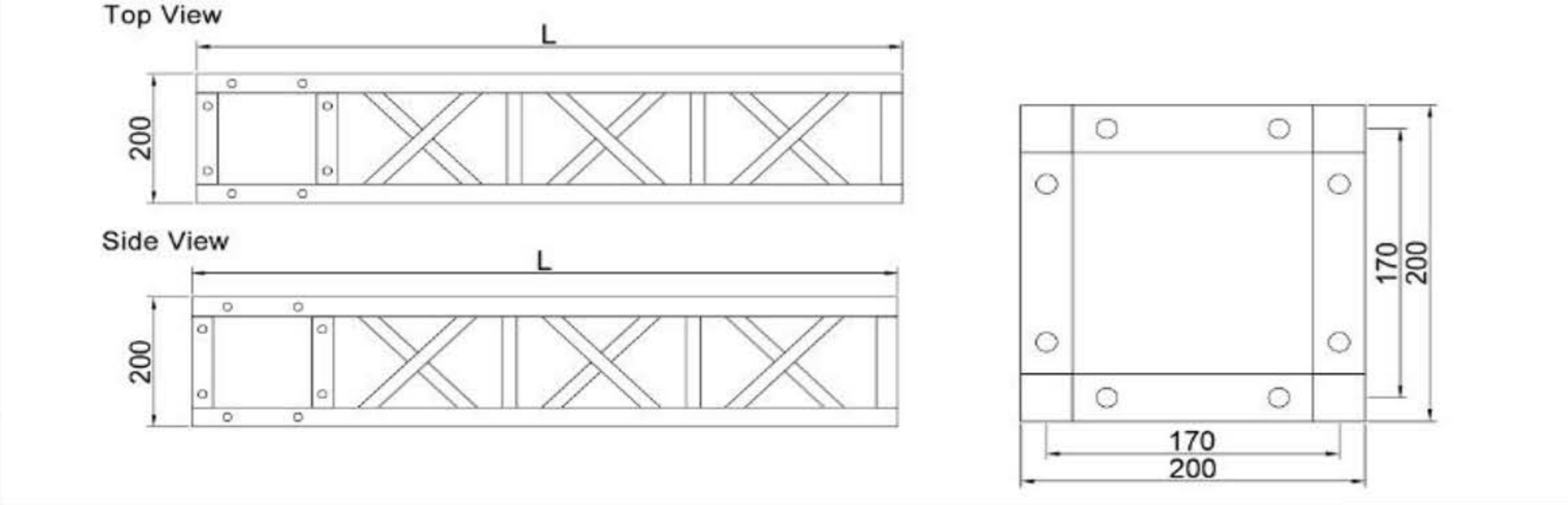
GPPSST6076		Span(m)	6m	7m	8m	9m	10m	12m	14m	16m	18m	20m	24m
Section Type Spigot Square Material: 6061-T6/6082-T6 Main tube: $\phi 50 \times 3 \text{mm}$ vice tube: $\phi 50 \times 2 \text{mm}$ Braces: $\phi 30 \times 2 \text{mm}$ Weight: $\sim 17 \text{kg/m}$	 (kg)	1905	1780	1770	1420	1160	850	680	600	550	500	460	
	 (mm)	4	9	10	17	18.5	27	44	53	62	76	88	
	 (kg)	466	385	325	277	240	185	140	133	119	100	80	
	 (mm)	3	7	12	18	27	48	75	90	106	125	144	



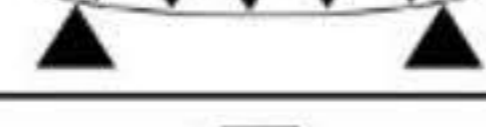

1 inch=25.4mm 1m=3.28ft 1 lbs=0.453kg



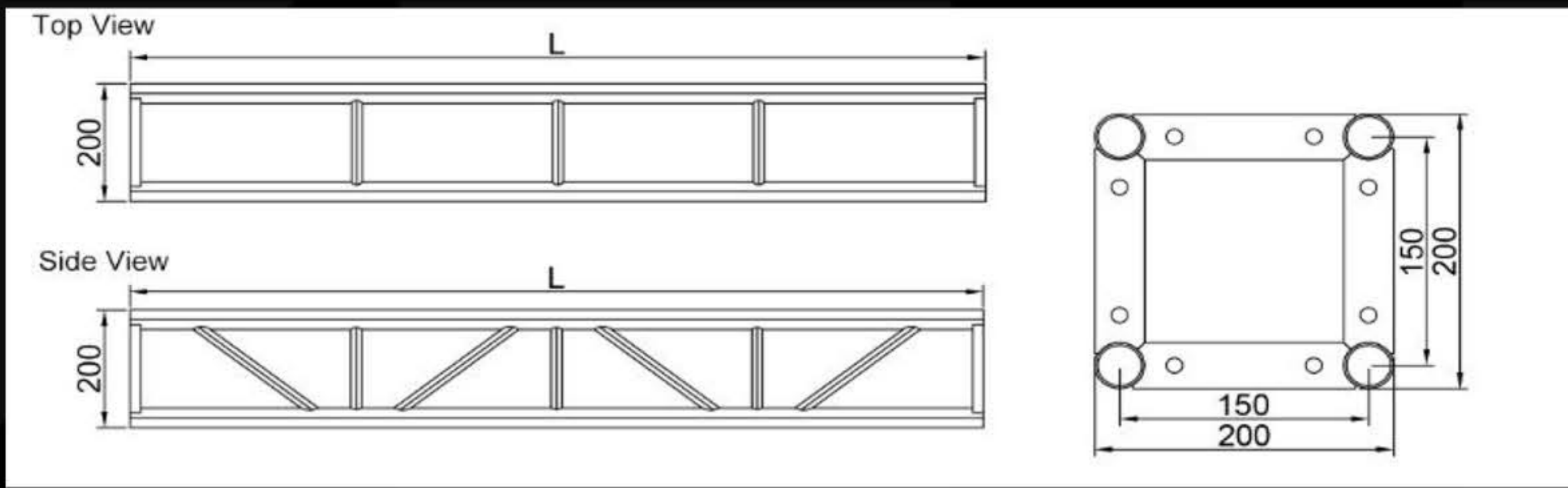
GPPSBT1010		Span(m)	2m	3m	4m	5m	6m
Section Type Square Material: 6061-T6/6082-T6 Main tube: $\phi 20 \times 2 \text{mm}$ Braces: Solid bar $\phi 5 \text{mm}$ Weight: $\sim 2 \text{kg/m}$	 (kg)	160	120	80	50	30	
	 (mm)	4	10	24	35	64	
	 (kg)	100	60	40	20	15	
	 (mm)	6	17	30	63	80	





1 inch=25.4mm 1m=3.28ft 1 lbs=0.453kg



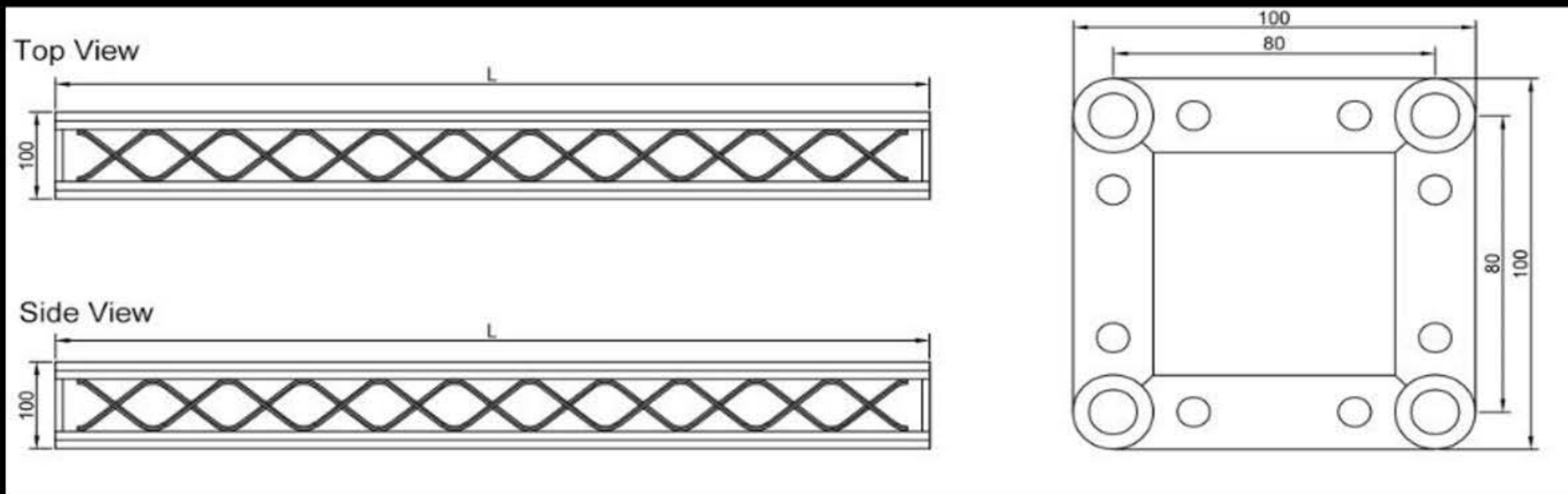
GPPSBT2020B		Span(m)	2m	4m	6m	8m
Section Type Bolt Square Material: 6061-T6/6082-T6 Main tube: $\phi 25 \times 25 \times 2 \text{mm}$ Vice tube: $\phi 12 \times 2 \text{mm}$ Braces: $\phi 12 \times 2 \text{mm}$ Weight: $\sim 4 \text{kg/m}$	 (kg)	185	81	48	30	
	 (mm)	6	24	57	80	
	 (kg)	246	71	33	25	
	 (mm)	5	21	55	77	

1 inch=25.4mm 1m=3.28ft 1 lbs=0.453kg



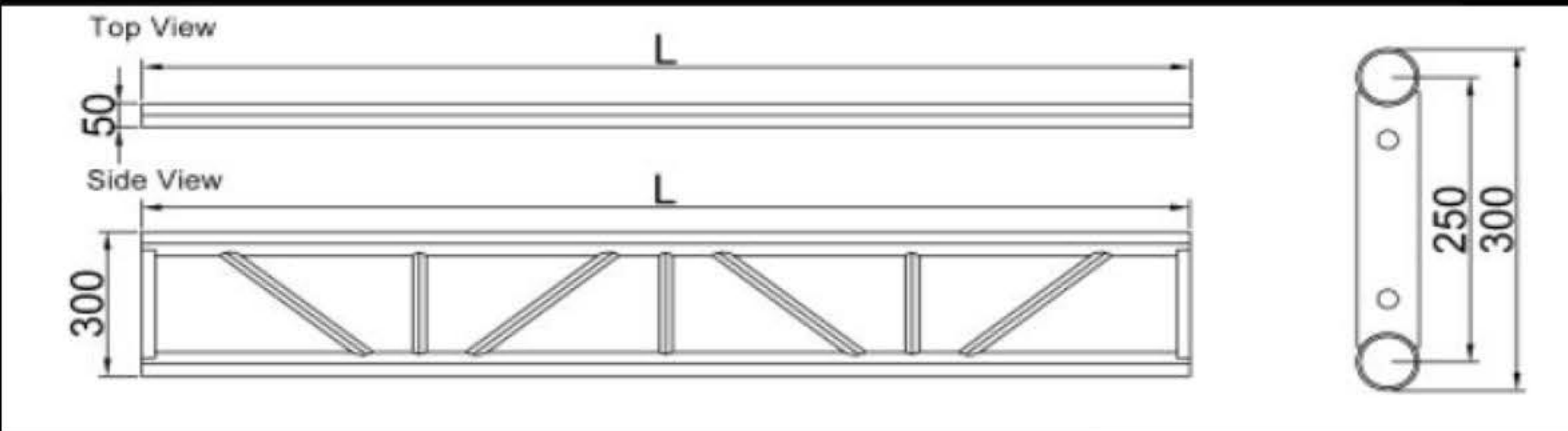
GPPSBT2020A	Span(m)	2m	4m	6m	8m
Section Type Bolt Square Material: 6061-T6/6082-T6 Main tube: $\phi 30 \times 2 \text{mm}$ Vice tube: $\phi 12 \times 2 \text{mm}$ Braces: $\phi 12 \times 2 \text{mm}$ Weight: $\sim 4.3 \text{kg/m}$	 (kg)	194	90	53	35
	 (mm)	5	26.4	63	94
	 (kg)	259	79	37	29
	 (mm)	4.5	23	60	88

1 inch=25.4mm 1m=3.28ft 1 lbs=0.453kg



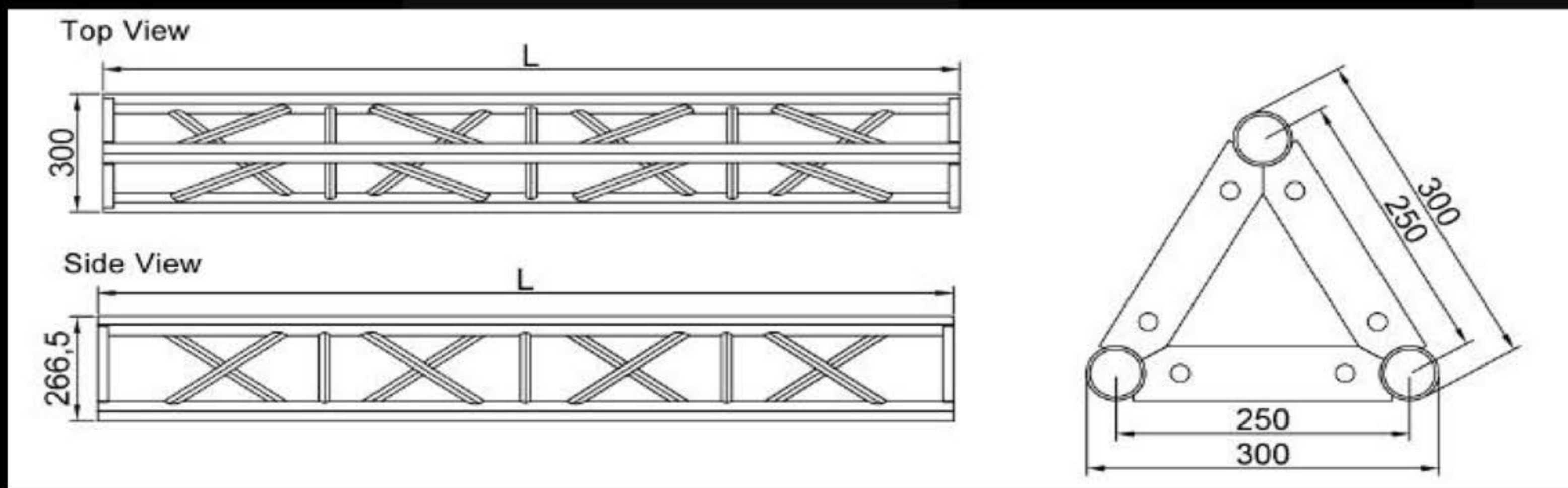
GPPSBT1010	Span(m)	2m	3m	4m	5m	6m
Section Type Square Material: 6061-T6/6082-T6 Main tube: $\phi 20 \times 2 \text{mm}$ Braces: Solid bar $\phi 5 \text{mm}$ Weight: $\sim 2 \text{kg/m}$	 (kg)	160	120	80	50	30
	 (mm)	4	10	24	35	64
	 (kg)	100	60	40	20	15
	 (mm)	6	17	30	63	80

1 inch=25.4mm 1m=3.28ft 1 lbs=0.453kg



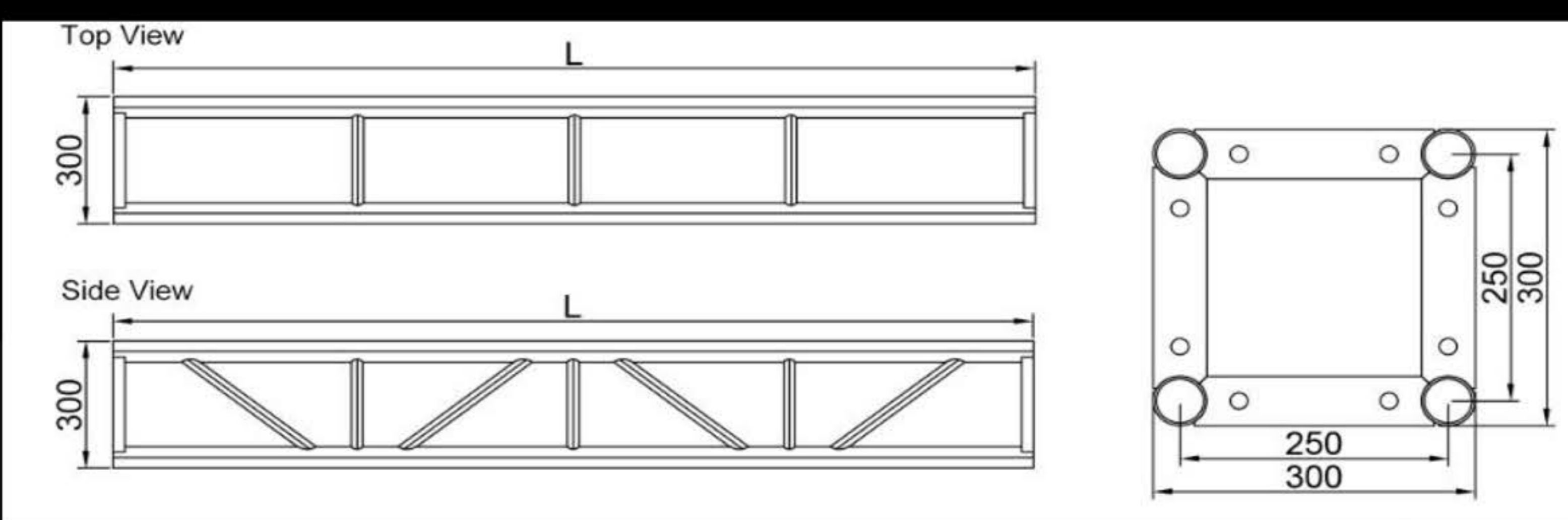
GPPLBT30	Span(m)	2m	4m	6m	8m
Section Type Bolt Ladder Material: 6061-T6/6082-T6 Main tube: $\phi 50 \times 3 \text{mm}$ Vice tube: $\phi 30 \times 2 \text{mm}$ Braces: $\phi 25 \times 2 \text{mm}$ Weight: $\sim 4.5 \text{kg/m}$	(kg)	264	110	42	20
	(mm)	4	8	34	75
	(kg)	407	230	130	80
	(mm)	3	6	32	56

1 inch=25.4mm 1m=3.28ft 1 lbs=0.453kg



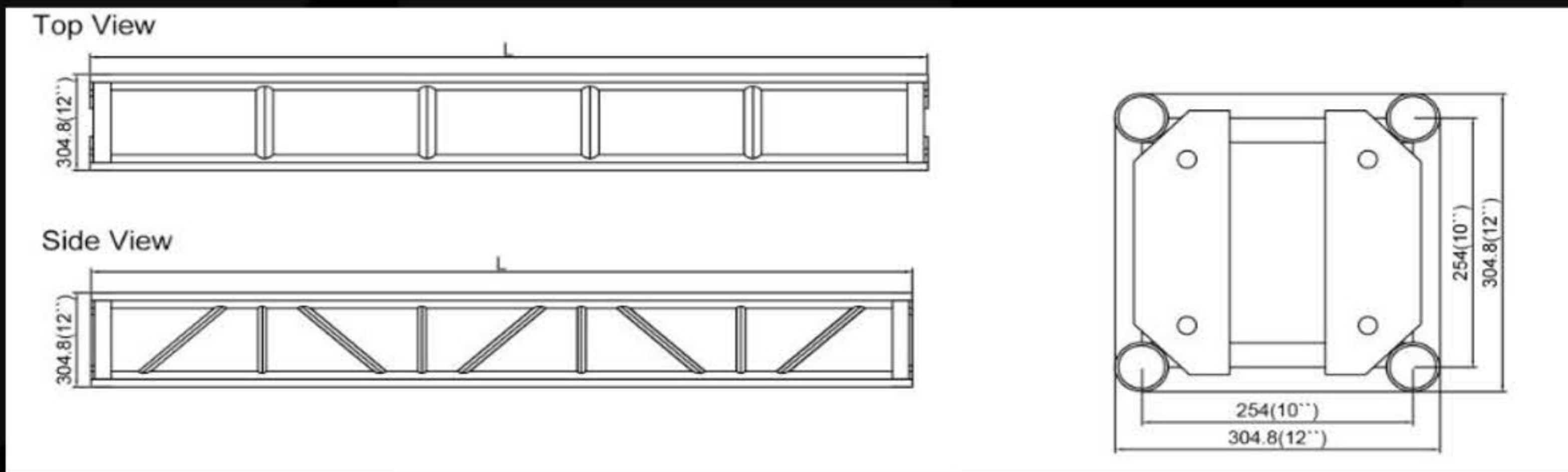
GPPTBT30	Span(m)	2m	4m	6m	8m	10m	12m
Section Type Triangular Material: 6061-T6/6082-T6 Main tube: $\phi 50 \times 3 \text{mm}$ vice tube: $\phi 30 \times 2 \text{mm}$ Braces: $\phi 25 \times 2 \text{mm}$ Weight: $\sim 6.3 \text{kg/m}$	(kg)	614	228	116	66	42	30
	(mm)	5	12	25	46	62	88
	(kg)	967	736	450	365	253	200
	(mm)	4	12	22	38	56	78

1 inch=25.4mm 1m=3.28ft 1 lbs=0.453kg



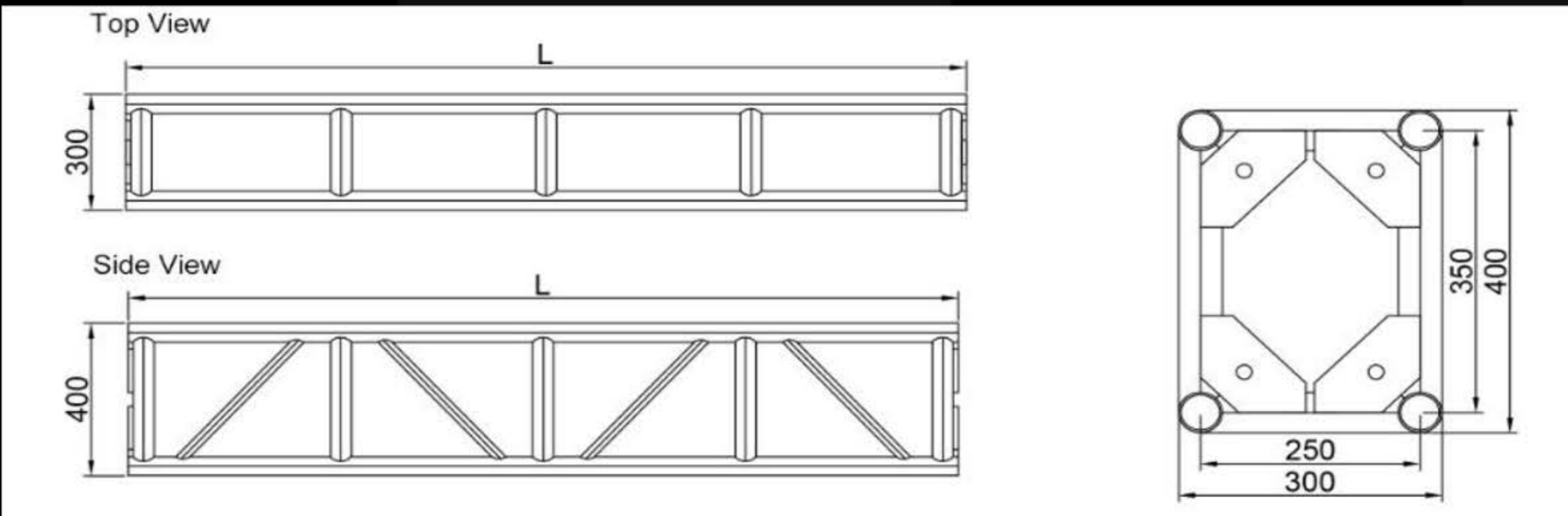
GPPSBT3030	Span(m)	2m	4m	6m	8m	10m
Section Type Bolt Square Material: 6061-T6/6082-T6 Main tube: $\phi 50 \times 3 \text{mm}$ Vice tube: $\phi 30 \times 2 \text{mm}$ Braces: $\phi 25 \times 2 \text{mm}$ Weight: $\sim 7.5 \text{kg/m}$	(kg)	804	316	138	72	41
	(mm)	13.5	28	67	98	137
	(kg)	1284	783	432	217	100
	(mm)	15	33	92	107	134

1 inch=25.4mm 1m=3.28ft 1 lbs=0.453kg



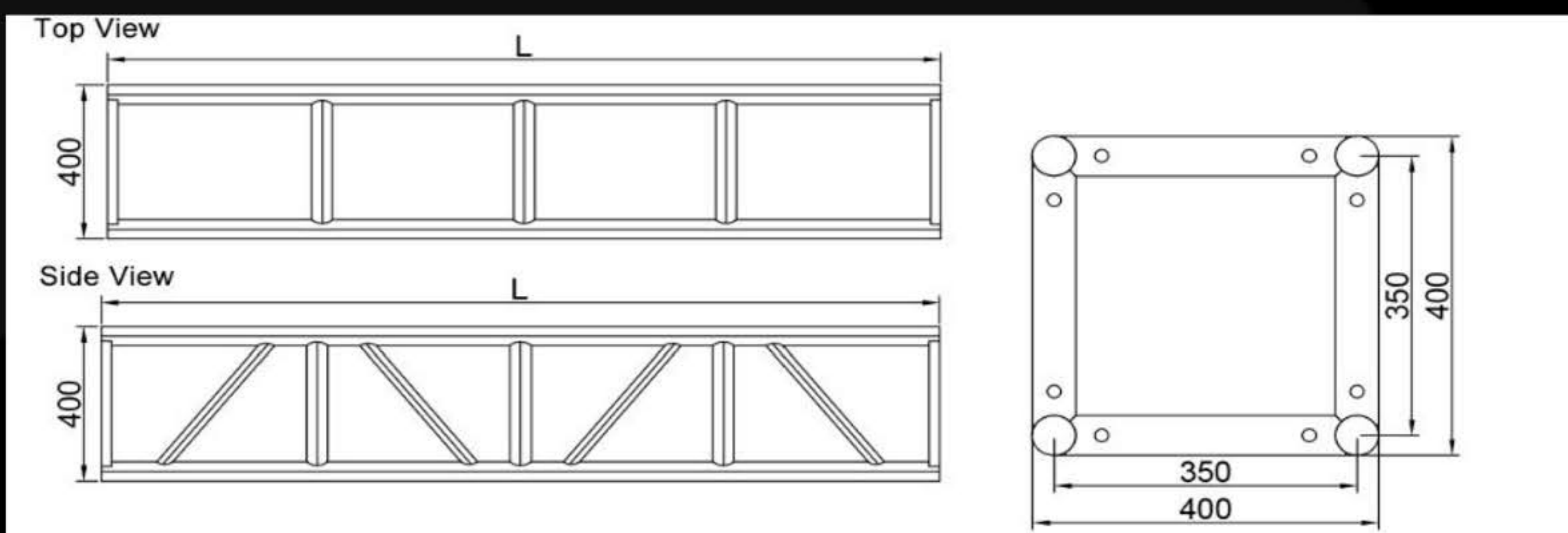
GPPSBT3048	Span(m)	4m	6m	8m	10m	12m
Section Type Bolt Square	(kg)	461	265	138.5	79	41
Material: 6061-T6/6082-T6	(mm)	8.5	26	37.5	66	86
Main tube: $\phi 50 \times 3 \text{mm}$	(kg)	706	487	349	265	217
Vice Tube: $\phi 30 \times 2 \text{mm} / 50 \times 2 \text{mm}$	(mm)	5	18	27	52	70
Braces: $\phi 25 \times 2 \text{mm}$						
Weight: $\sim 9 \text{kg/m}$						



1 inch=25.4mm 1m=3.28ft 1 lbs=0.453kg



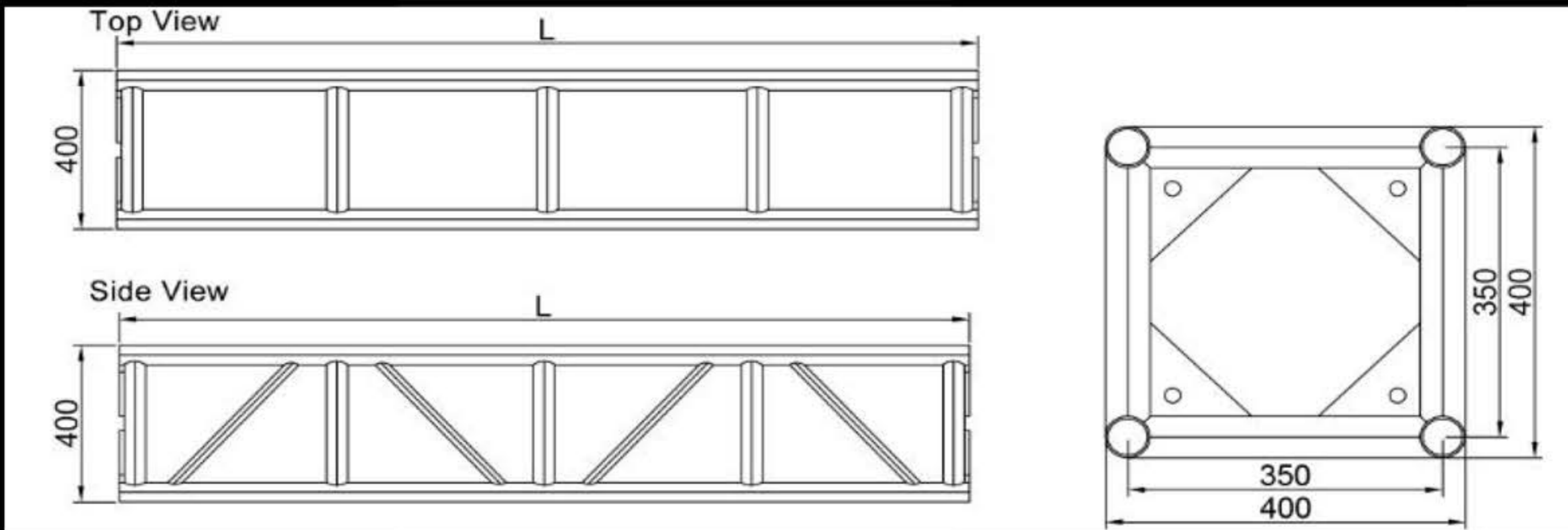
GPPSBT3040	Span(m)	2m	4m	6m	8m	10m	12m	14m	16m
Section Type Bolt Square	(kg)	1188	531	281.8	142.3	94.9	63.2	43.2	29.8
Material: 6061-T6/6082-T6	(mm)	3.7	8.7	14.9	22.3	30.7	36.3	54.7	67
Main tube: $\phi 50 \times 3 \text{mm}$	(kg)	1303	950	821	675	577	458	360	281
vice tube: $\phi 50 \times 2 \text{mm}$	(mm)	2.3	7.6	11	21	28.5	40	54	72
Braces: $\phi 25 \times 2 \text{mm}$									
Weight: $\sim 9 \text{kg/m}$									





1 inch=25.4mm 1m=3.28ft 1 lbs=0.453kg



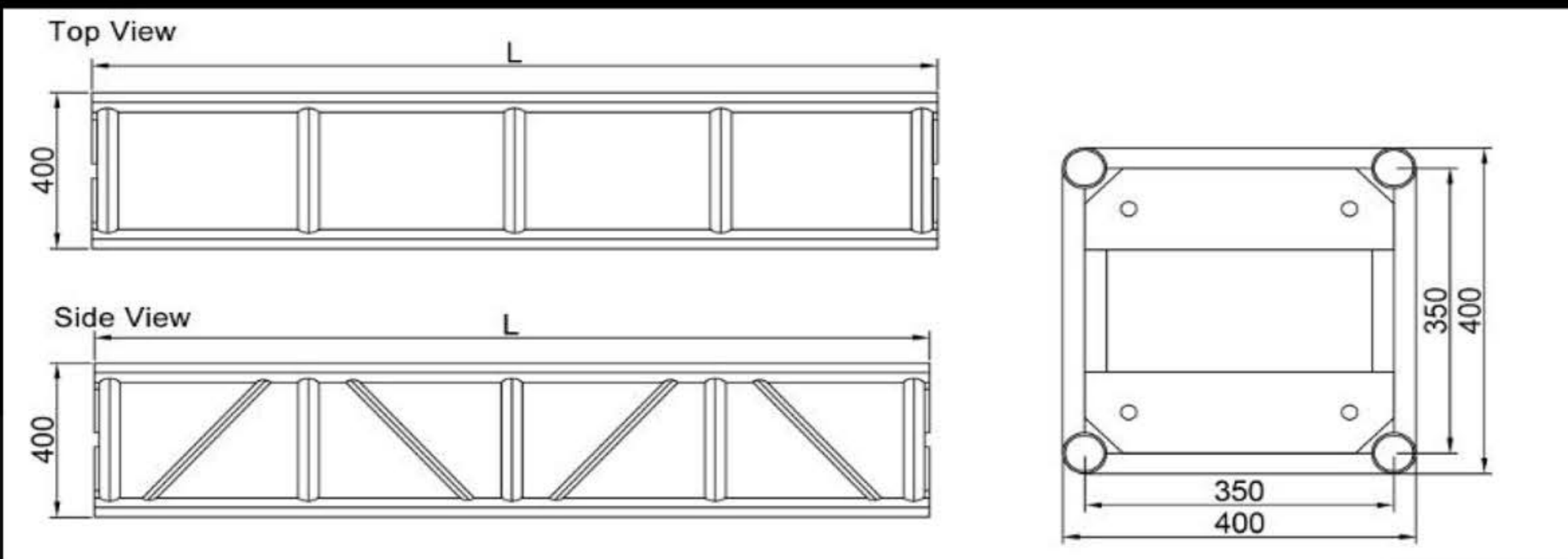
GPPSBT4040		Span(m)	2m	4m	6m	8m	10m	12m
Section Type Bolt Square Material: 6061-T6/6082-T6 Main tube: $\phi 50 \times 3 \text{mm}$ vice tube: $\phi 30 \times 2 \text{mm}$ Braces: $\phi 25 \times 2 \text{mm}$ Weight: $\sim 10 \text{kg/m}$	 (kg)	1095	326	150	92	60	35	
	 (mm)	18	47	65	101	138	146	
	 (kg)	1280	910	540	420	210	104	
	 (mm)	17	53	86	90	110	137	





1 inch=25.4mm 1m=3.28ft 1 lbs=0.453kg



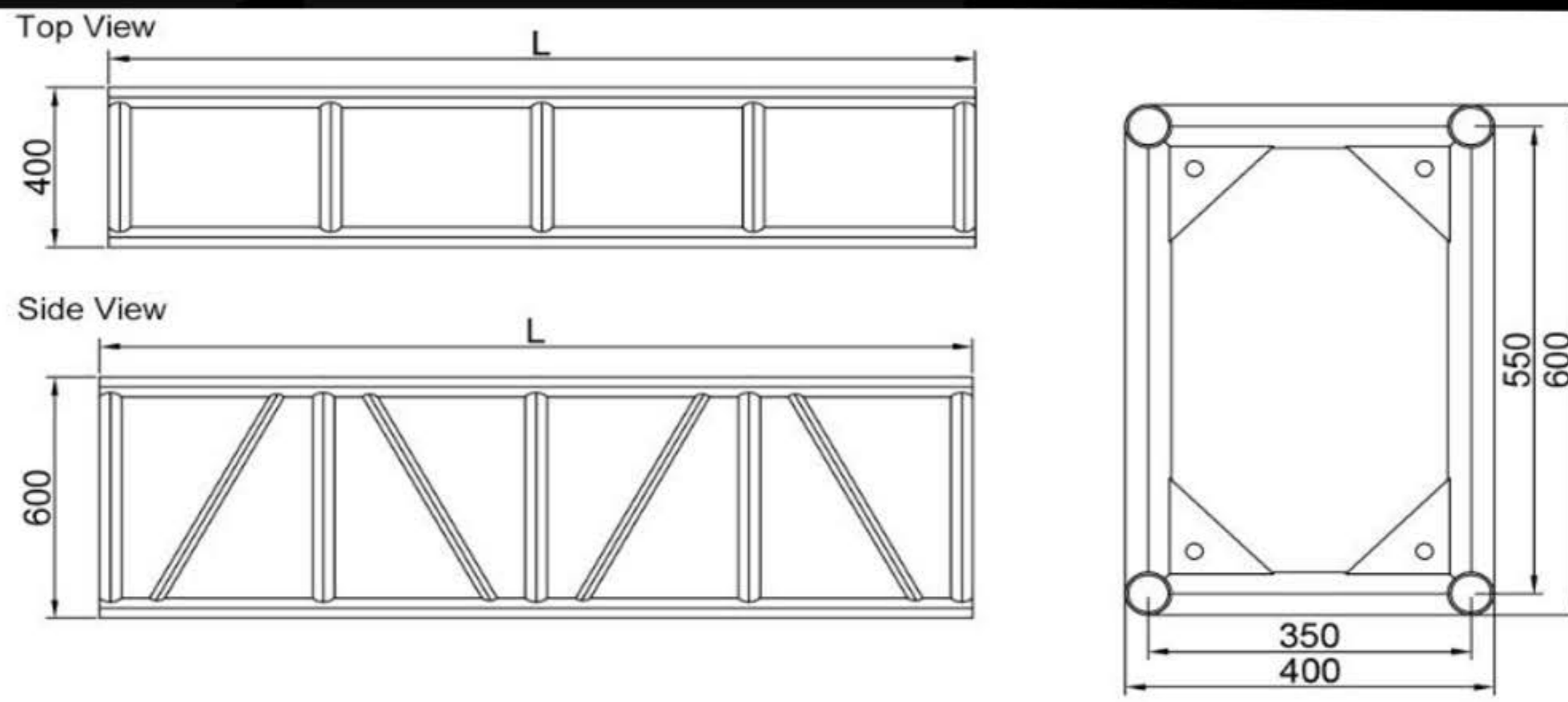
GPPSBT4040		Span(m)	2m	4m	6m	8m	10m	12m	14m	16m
Section Type Bolt Square Material: 6061-T6/6082-T6 Main tube: $\phi 50 \times 3 \text{mm}$ vice tube: $\phi 50 \times 2 \text{mm}$ Braces: $\phi 25 \times 2 \text{mm}$ Weight: $\sim 11 \text{kg/m}$	 (kg)	1278	581	303	153	102	68	46.4	32	
	 (mm)	4	9	16	24	33	39	58	72	
	 (kg)	1400	1020	880	725	621	493	387	300	
	 (mm)	2.4	8	11	23	31	43	58	77	

1 inch=25.4mm 1m=3.28ft 1 lbs=0.453kg



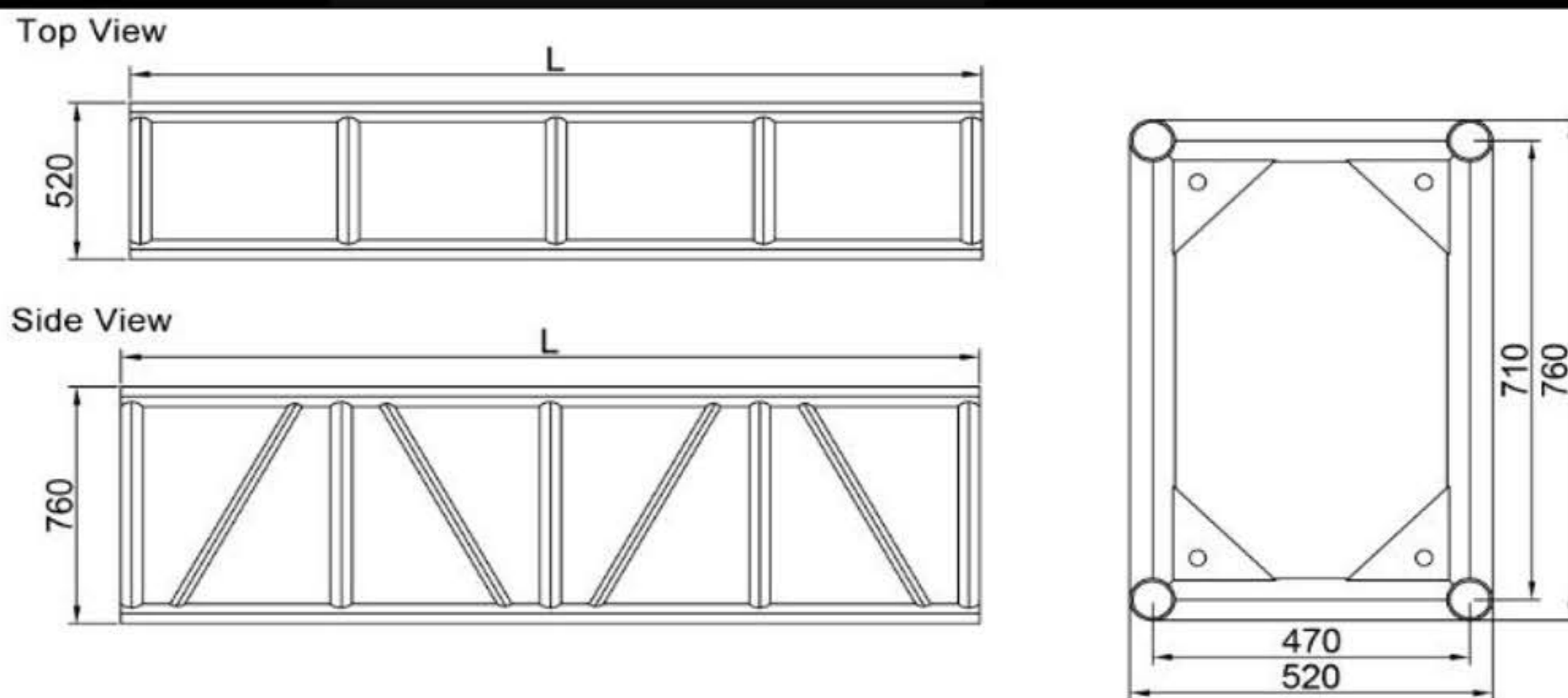
GPPSBT4040		Span(m)	2m	4m	6m	8m	10m	12m
Section Type Bolt Square Material: 6061-T6/6082-T6 Main tube: $\phi 50 \times 3 \text{mm}$ vice tube: $\phi 50 \times 2 \text{mm}$ Braces: $\phi 25 \times 2 \text{mm}$ Weight: $\sim 10 \text{kg/m}$	 (kg)	1500.6	700.8	360.6	180.2	126.5	83.6	
	 (mm)	3.5	9	15	23.5	31	35	
	 (kg)	1680.4	1245	1068	892	770	600.9	
	 (mm)	2.5	8.0	11	23	29	39	

1 inch=25.4mm 1m=3.28ft 1 lbs=0.453kg



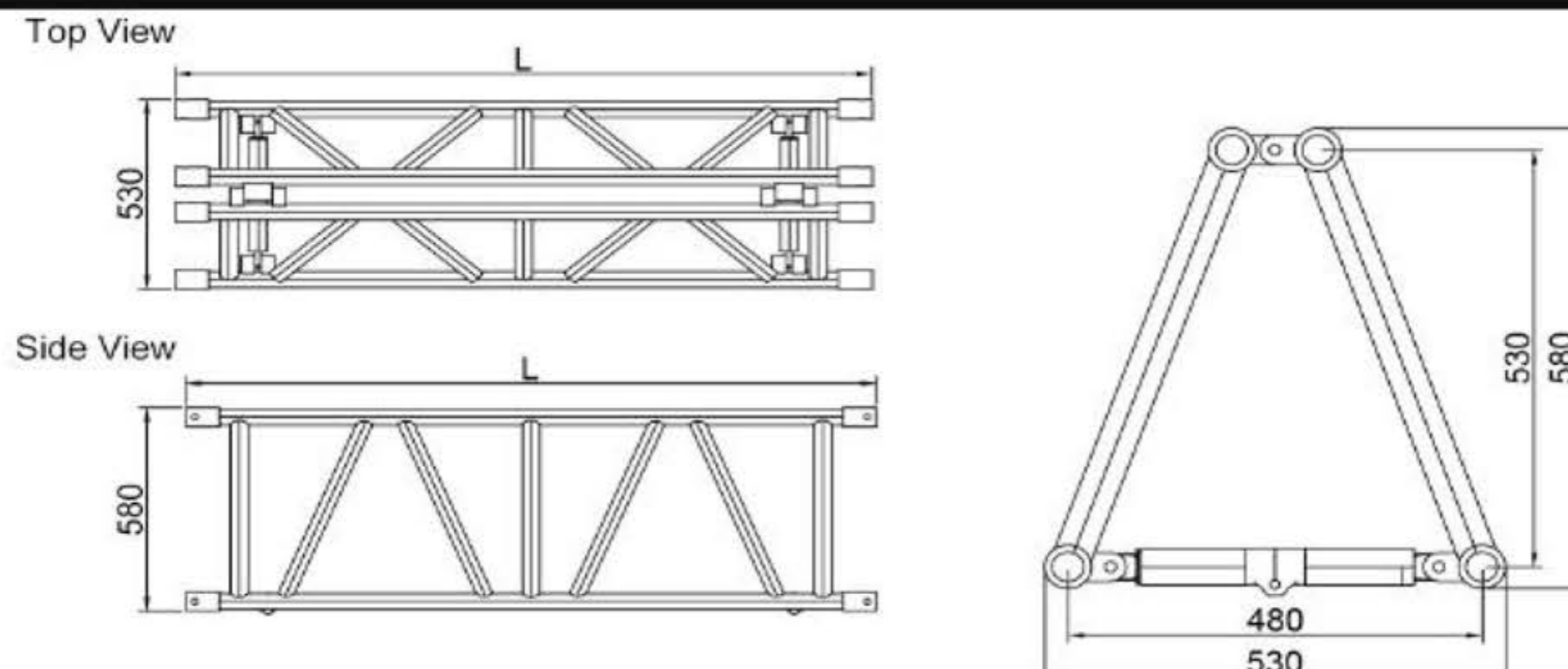
GPPPSBT4060		Span(m)	2m	4m	6m	8m	10m	12m	14m	16m	18m	20m
Section Type Bolt Square		(kg)	1410	617	396	262	181	127	98	76	60	48
Material: 6061-T6/6082-T6		(mm)	4	8	12	19	28	40	57	78.1	103	117
Main tube: $\phi 50 \times 3 \text{mm}$		(kg)	1526	1261	1083	903	752	632	570	520	480	406
vice tube: $\phi 50 \times 2 \text{mm}$		(mm)	3	7.5	11	16.5	24	32	45	61	80	100
Braces: $\phi 25 \times 2 \text{mm}$												
Weight: $\sim 12 \text{kg/m}$												

1 inch=25.4mm 1m=3.28ft 1 lbs=0.453kg



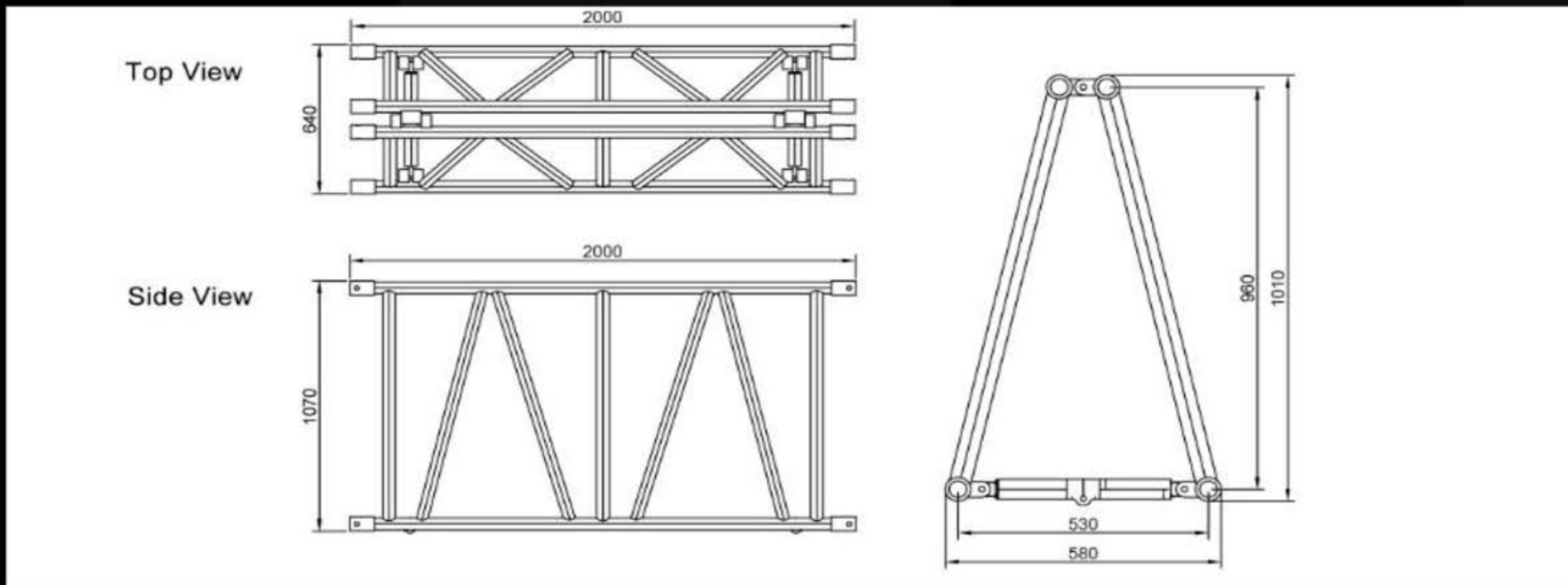
GPPPSBT5276		Span(m)	2m	4m	6m	8m	10m	12m	14m	16m	18m	20m	22m
Section Type Bolt Square		(kg)	1693	806	470	300	200	154	115	85	70	58	48
Material: 6061-T6/6082-T6		(mm)	4	8	12	18	24	35	47	63	81	104	132
Main tube: $\phi 50 \times 3 \text{mm}$		(kg)	1785	1586	1288	1039	840	753	680	623	542	474	420
vice tube: $\phi 50 \times 2 \text{mm}$		(mm)	3	7.3	11.4	16	22	30	40	52	63	76	91
Braces: $\phi 25 \times 2 \text{mm}$													
Weight: $\sim 21.5 \text{kg/m}$													

1 inch=25.4mm 1m=3.28ft 1 lbs=0.453kg



GPPFST5358		Span(m)	2m	4m	6m	8m	10m	12m	14m	16m	18m	20m	22m
Section Type Spigot Triangular	 (kg)		1275	600	378	235	148	90	73	60	50	40	28
Material: 6061-T6/6082-T6	 (mm)		9	17	22	48	70	88	105	120	132	223	285
Main tube: φ50x3mm	 (kg)		1923	1546	1298	1075	888	738	668	616	567	502	458
vice tube: φ50x2mm	 (mm)		7	15	23	35	46	55	69	81	92	156	200
Braces: φ30x2mm													
Weight: ~13kg/m													

1 inch=25.4mm 1m=3.28ft 1 lbs=0.453kg



GPPFST58101		Span(m)	2m	4m	6m	8m	10m	12m	14m	16m	18m	20m	22m	24m	26m	28m	30m
Section Type Spigot Triangular	 (kg)		1376	666	390	265	213	163	131	107	88	77	66	55	49	42	35
Material: 6061-T6/6082-T6	 (mm)		8	12	17	27	47	58	75	88	111	126	160	190	231	255	272
Main tube: φ50x3mm	 (kg)		2044	1974	1725	1555	1475	1355	1270	1178	1085	975	914	818	785	730	646
vice tube: φ50x2mm	 (mm)		8	11	14	21	36	46	58	76	85	94	120	142	176	200	234
Braces: φ30x2mm																	
Weight: ~17kg/m																	

1 inch=25.4mm 1m=3.28ft 1 lbs=0.453kg